

Cerniera a scodellino idraulica mod. 5000-5100-5200

Removable hydraulic concealed hinge mod. 5000-5100-5200



Mod. 5000

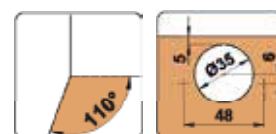
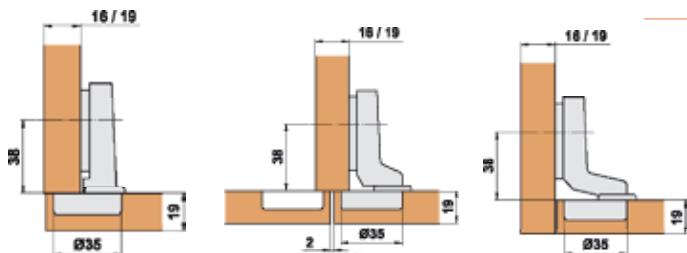
Mod. 5100

Mod. 5200



Mod. Mod.	Finitura Finish	Cod.		
5000	Retta Full overlay Nichelato Nickel plated	19165	10	60
5100	A gomito Half overlay Nichelato Nickel plated	19166	10	60
5200	Super gomito Inlay Nichelato Nickel plated	19167	10	60

Smontabile / Removable
Con pomolino di apertura / With opening button



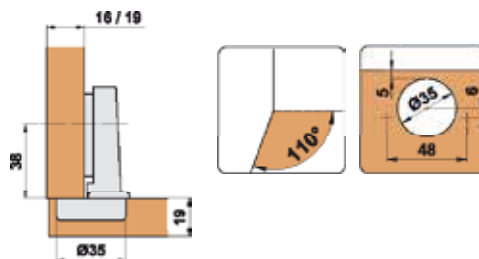
Cerniera a scodellino smontabile mod. 4000

Dismountable concealed hinge mod. 4000



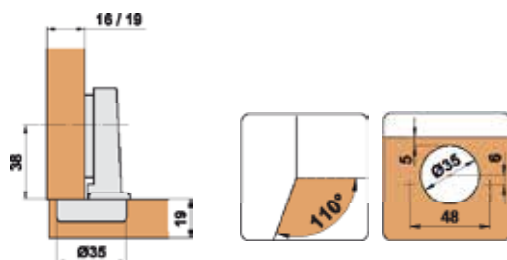
Finitura Finish	Cod.		
Nichelato Nickel plated	6252	20	200

Dritta / Full overlay
Con pomolino di apertura / With opening button



Cerniera a scodellino smontabile NIZA mod. 4000

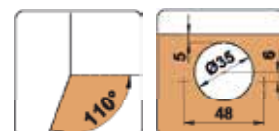
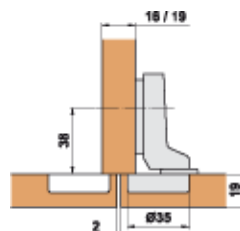
Dismountable concealed hinge NIZA mod. 4000



Finitura Finish	Cod.		
Nichelato Nickel plated	21397	-	200

Retta
Full overlay
Con pomolino di apertura
With opening button

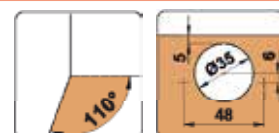
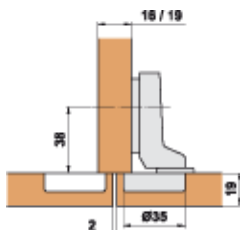
Cerniera a scomparsa smontabile mod. 4100 *Dismountable concealed hinge mod. 4100*



Finitura Finish	Cod.	
Nichelato Nickel plated	6253	20 200

A gomito / Half overlay
Con pomolino di apertura / With opening button

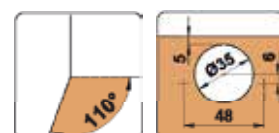
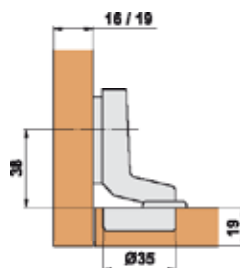
Cerniera a scodellino smontabile NIZA mod. 4100 *Dismountable concealed hinge NIZA mod. 4100*



Finitura Finish	Cod.	
Nichelato Nickel plated	21398	- 200

A gomito
Half overlay
Con pomolino di apertura
With opening button

Cerniera a scodellino smontabile mod. 4200 *Dismountable concealed hinge mod. 4200*

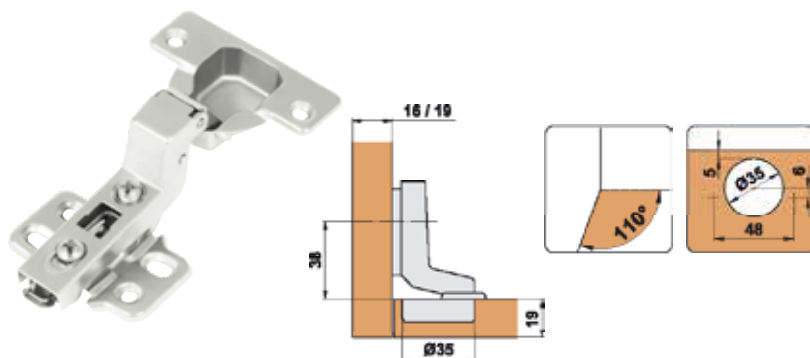


Finitura Finish	Cod.	
Nichelato Nickel plated	6254	20 200

Super gomito
Inlay
Con pomolino di apertura
With opening button

Cerniera a scodellino smontabile NIZA mod. 4200

Dismountable concealed hinge NIZA mod. 4200



niza

Finitura Finish	Cod.	
Nichelato Nickel plated	21399	- 200

Super gomito
Inlay
Con pomolino di apertura
With opening button

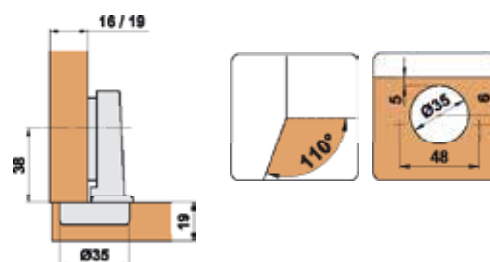
Supporto alto mod. 4000-4200 High support mod. 4000-4200



Finitura Finish	Cod.	
Nichelato Nickel plated	6258	50 500

Disponibile supporto alto Zamak per
cerniere mod. 4000, 4100, 4200
Zinc alloy high base is available for hinges
mod. 4000, 4100, 4200
Altezza 4 mm.
Height 4 mm

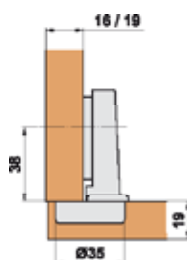
Cerniera a scodellino fissa mod. 4500 Fixed concealed hinge mod. 4500



Finitura Finish	Cod.	
Nichelato Nickel plated	6255	20 200

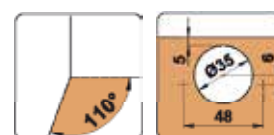
Retta
Full overlay

Cerniera a scodellino fissa NIZA mod. 4500 Fixed concealed hinge NIZA mod. 4500

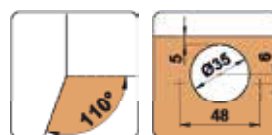
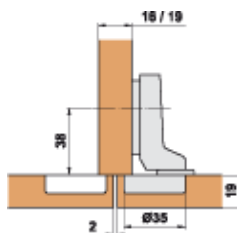
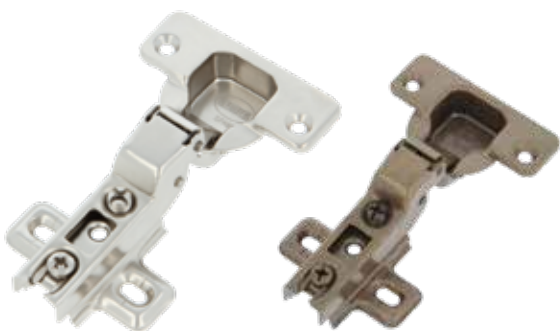


Finitura Finish	Cod.	
Nichelato Nickel plated	21002	- 250

Retta
Full overlay



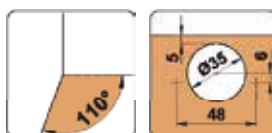
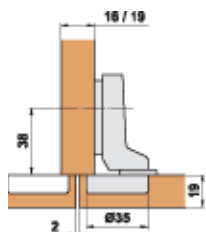
Cerniera a scodellino fissa mod. 4600 *Fixed concealed hinge mod. 4600*



Finitura Finish	Cod.		
Nichelato Nickel plated	6256	20	200

A gomito
Half overlay

Cerniera a scodellino fissa NIZA mod. 4600 *Fixed concealed hinge NIZA mod. 4600*

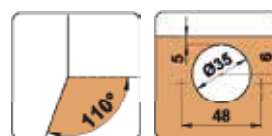
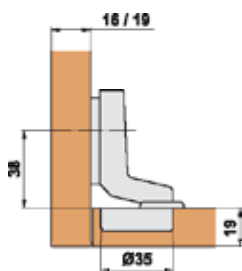


Finitura Finish	Cod.		
Nichelato Nickel plated	21003	-	250

niza®

A gomito
Half overlay

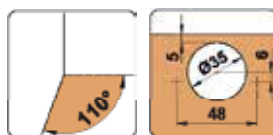
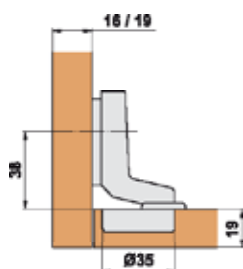
Cerniera a scodellino fissa mod. 4700 *Fixed concealed hinge mod. 4700*



Finitura Finish	Cod.		
Nichelato Nickel plated	6257	20	200

Super gomito
Inlay

Cerniera a scodellino fissa NIZA mod. 4700 *Fixed concealed hinge NIZA mod. 4700*

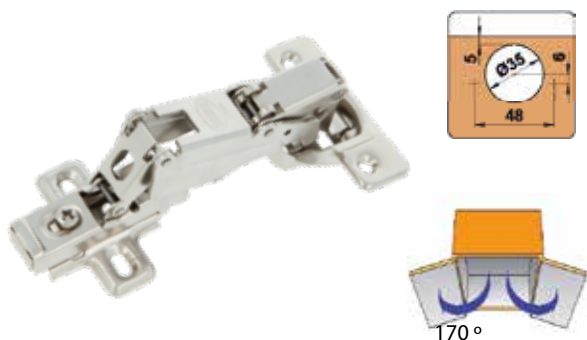


Finitura Finish	Cod.		
Nichelato Nickel plated	21004	-	250

niza®

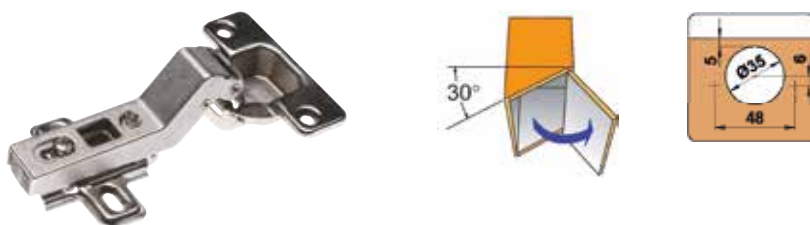
Super gomito
Inlay

Cerniera a scodellino smontabile mod. 4210 *Dismountable concealed hinge mod. 4210*



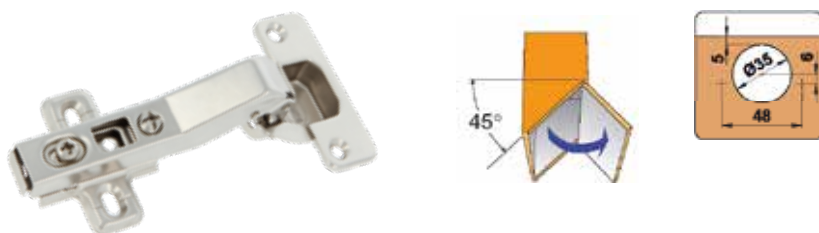
Finitura <i>Finish</i>	Cod.		
Nichelato <i>Nickel plated</i>	6951	10	60
Retta <i>Full overlay</i> Con pomolino di apertura <i>With opening button</i>			

Cerniera a scodellino smontabile mod. 4400 *Dismountable concealed hinge mod. 4400*



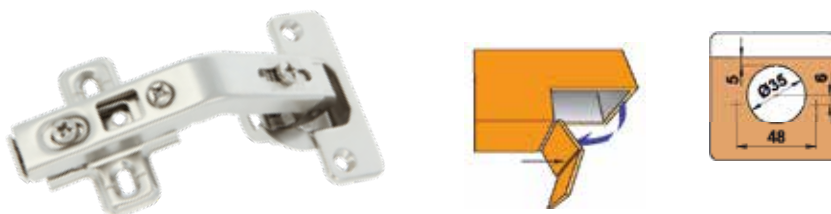
Finitura <i>Finish</i>	Cod.		
Nichelato <i>Nickel plated</i>	6949	20	120
Agnatura +30° <i>Bevel +30°</i> Con pomolino di apertura <i>With opening button</i>			

Cerniera a scodellino smontabile mod. 4401 *Dismountable concealed hinge mod. 4401*



Finitura <i>Finish</i>	Cod.		
Nichelato <i>Nickel plated</i>	6950	20	120
Agnatura +45° <i>Bevel +45°</i> Con pomolino di apertura <i>With opening button</i>			

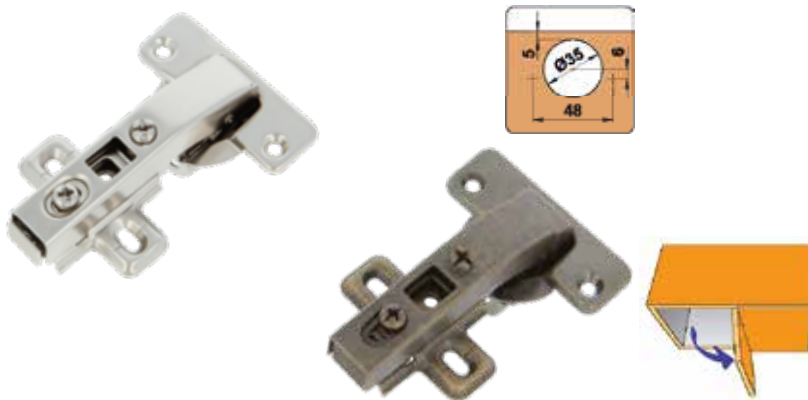
Cerniera a scodellino smontabile mod. 4402 *Dismountable concealed hinge mod. 4402*



Finitura <i>Finish</i>	Cod.		
Nichelato <i>Nickel plated</i>	7117	20	120
Agnatura +25° <i>Bevel +25°</i> Con pomolino di apertura <i>With opening button</i>			

Cerniera a scodellino smontabile mod. 4403

Dismountable concealed hinge mod. 4403



Finitura Finish	Cod.		
Nichelato Nickel plated	7393	20	120
Augnatura +90° Bevel +90° Con pomolino di apertura With opening button			

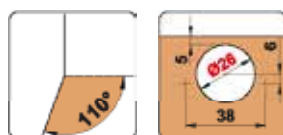
Supporto alto mod. 4500-4700 High support mod. 4500-4700



Finitura Finish	Cod.		
Nichelato Nickel plated	6259	50	500

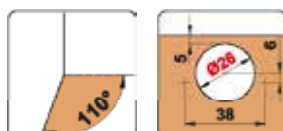
Disponibile supporto alto acciaio per cerniere mod. 4500, 4600, 4700
Steel high base is available for hinges mod. 4500, 4600, 4700
Altezza 4 mm.
Height 4 mm

Cerniere a scodellino fisse mod. 4710 Fixed concealed hinge mod. 4710



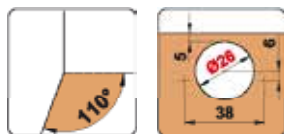
Finitura Finish	Cod.		
Nichelato Nickel plated	6877	20	200
Retta Full overlay Scodellino 26 mm Cup 26 mm			

Cerniere a scodellino fisse mod. 4711 Fixed concealed hinge mod. 4711



Finitura Finish	Cod.		
Nichelato Nickel plated	6878	20	200
A gomito Half overlay Scodellino 26 mm Cup 26 mm			

Cerniere a scodellino fisse mod. 4712 *Fixed concealed hinge mod. 4712*



Finitura Finish	Cod.	
Nichelato Nickel plated	6879	20 200
Super gomito Inlay		
Scodellino 26 mm Cup 26 mm		

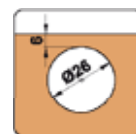
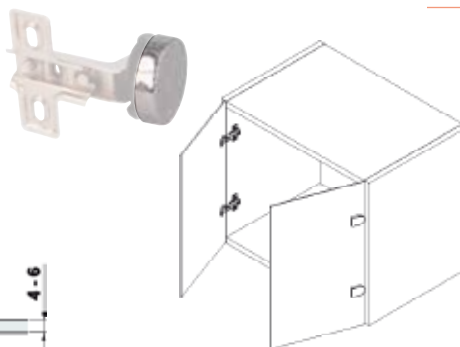
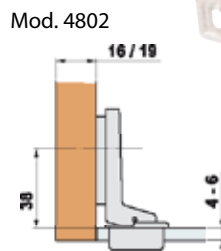
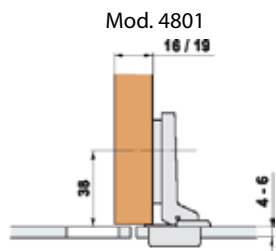
Cerniera a scodellino per porte di vetro mod. 4800-4801-4802

Concealed hinge for glass doors mod. 4800-4801-4802



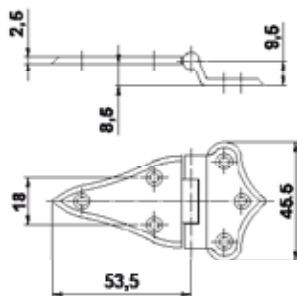
Mod. Mod.	Finitura Finish	Cod.	
4801	Nichelato Nickel plated	10864	20 200
4802	Nichelato Nickel plated	10865	20 200

Spessore del vetro 4-6 mm
Glass thickness 4-6 mm
Rivestimento cromato
Chrome plated cover

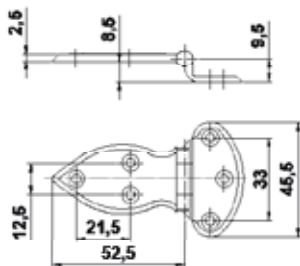


Cerniera mod. 1-2 *Hinge mod. 1-2*

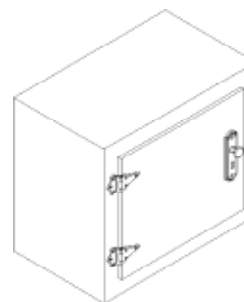
Mod. 1



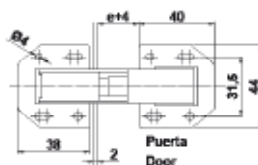
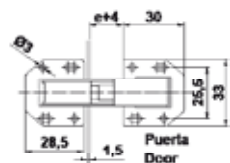
Mod. 2



Mod. Mod.	Finitura Finish	Cod.	
1	Nichelato Nickel plated	81	25 500
2	Nichelato Nickel plated	83	25 500



Cerniera mod. 15 Hinge mod. 15



Finitura
Finish

Misure mm
Sizes mm.

Cod.



Nichelato
Nickel plated

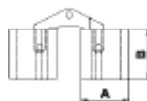
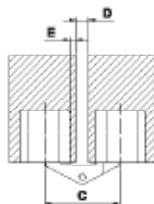
3" (75 mm)

8898 20 200

4" (100 mm)

636 20 200

Cerniera a scomparsa mod. 1020 Concealed hinge mod. 1020



Finitura
Finish

Misure mm
Sizes mm.

Cod.



Ottone lucido
verniciato
Polished brass varnished

A

∅ 10

22140 2 5

∅ 12

22141 2 5

∅ 14

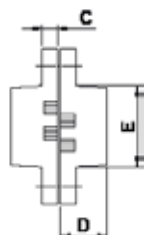
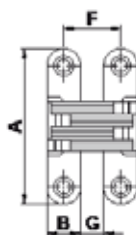
22142 2 5

∅ 16

22143 2 5

BA (mm)	B (mm)	C (mm)	D (mm)	E (mm)
10	11.5	16.5	2.5 min. 2 max.	
12	13.5	20	2.5 min. 2.2 max.	
14	15.5	23	3 min. 3 max.	
16	16.5	25	3 min. 3 max.	
18	17.5	27	3 min. 3 max.	
24	25	36.5	3 min. 3 max.	

Cerniera a scomparsa mod. 1025 Concealed hinge mod. 1025



Finitura
Finish

Misure mm
Sizes mm.

Cod.



Zamak cromato opaco e
acciaio inossidabile
Zamak satin chrome and
stainless steel

45

18922 2 40 5

60

18923 2 40 10

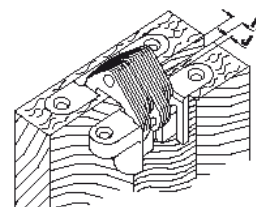
70

18924 2 30 15

95

18925 2 20 20

A (mm)	B (mm)	C (mm)	D (mm)	E (mm)	F (mm)	G (mm)	H (mm)	J (mm)
45	13	5	18	19	21	9	3	3
60	13	6	18	31.5	21	9	3	3
70	16	7	23	34	25	11	3	4
95	19	10	27	52	32	13	4	4.5



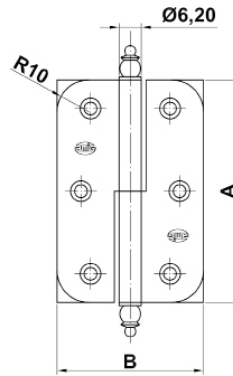
Cerniera mod. 540-541-542 Hinge mod. 540-541-542



Mod. 540



Mod. 541



Bordo arrotondato
Round corner
R:10 mm

Mod. Mod.	Finitura Finish	Misure mm. Sizes mm.	Destra / Right Cod.	Sinistra / Left Cod.	BAG Icons	
540	Ottonato verniciato Brass plated varnished	50	22095	22096	2	5
		60	22097	22098	2	5
		70	22099	22100	2	5
541	Ottonato verniciato Brass plated varnished	40	22101	22102	2	5
		50	22103	22104	2	5
		60	22107	22108	2	5

A (mm)	B (mm)	Espesor (mm)
51	36	1.2
60	41	1.2
70	43	1.2

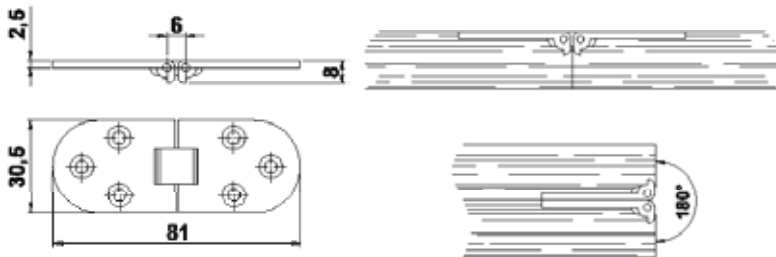
A (mm)	B (mm)	Espesor (mm)
40	36	1.2
51	36	1.2
60	41	1.2
70	43	1.2
80	51	1.2

A (mm)	B (mm)	Espesor (mm)	Radio (mm)
60	41	1.2	10
70	43	1.2	10

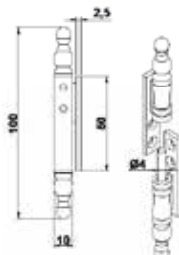
Cerniera mod. 7 Hinge mod. 7



Finitura Finish	Misure mm Sizes mm.	Cod.	
Ottone opaco Satin brass	80 x 30	17751	20 200

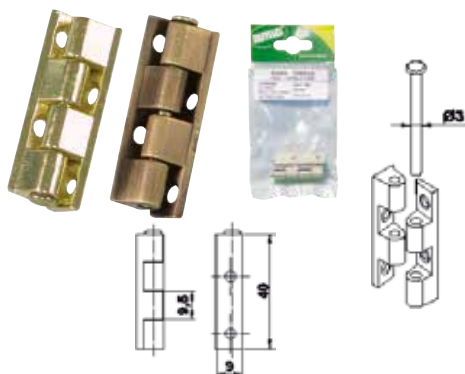


Cerniera mod. 555 Hinge mod. 555



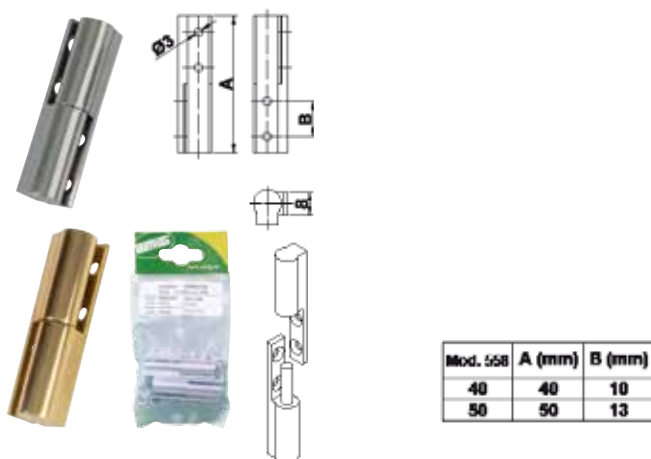
Finitura Finish	Misure mm Sizes mm.	Cod.	
Cuoio Antique brass plated	100 x 50	22119	2 5

Cerniera mod. 556 Hinge mod. 556



Finitura Finish	Misure mm Sizes mm.	Cod.		
Ottonato Brass plated	40	22123	2	5
Nichelato Nickel plated	40	22124	2	5

Cerniera mod. 558 Hinge mod. 558



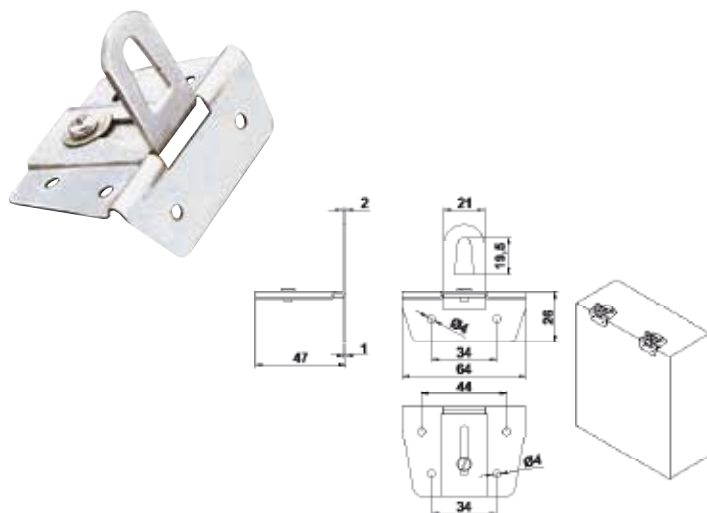
Finitura Finish	Misure mm Sizes mm.	Cod.		
Ottone cromato brillante Nickel plated brass	40	22133	2	5
Ottone lucido verniciato Polished brass varnished	40	22134	2	5

Appendiabiti mod. 1 Slot plate mod. 1



Finitura Finish	Misure mm Sizes mm.	Cod.		
Nichelato Nickel plated	40 x 16	22155	4	5
	50 x 16	22156	4	5
	60 x 18	22157	4	5
	70 x 20	22158	4	5
	80 x 22	22159	4	5
	100 x 22	22160	4	5

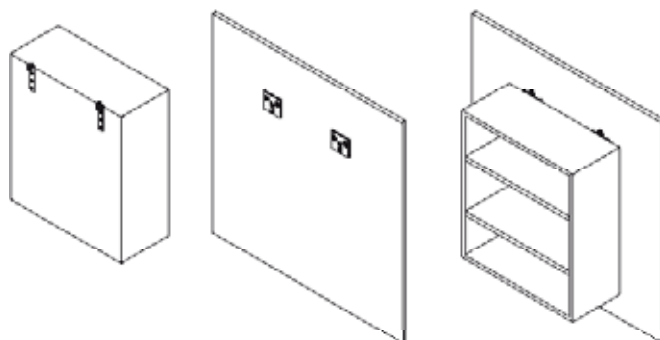
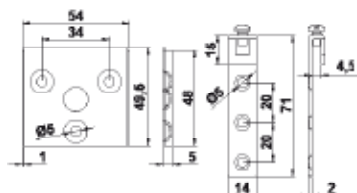
Appendiabiti mod. 4 Slot plate mod. 4



Finitura Finish	Cod.		
Zincato Zinc plated	22161	2	5

Confezionati e sfusi
Inner box and bulk packed

Appendiabiti mod. 5 Slot plate mod. 5



Finitura
Finish

Cod.



Zincato
Zinc plated

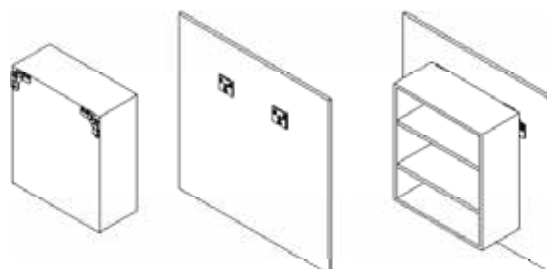
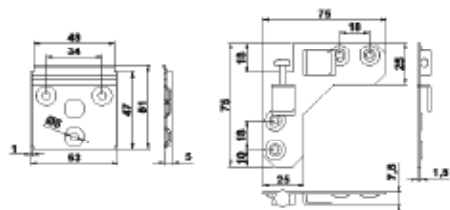
22162

2

5

Confezionati e sfusi
Inner box and bulk packed

Appendiabiti mod. 6 Slot plate mod. 6



Finitura
Finish

Cod.



Zincato
Zinc plated

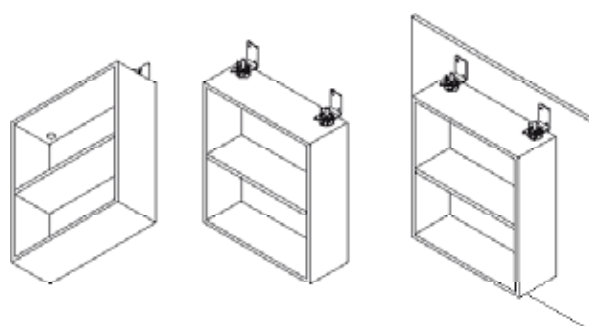
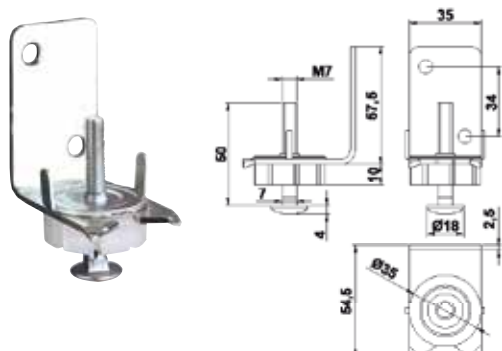
22163

2

5

Confezionati e sfusi
Inner box and bulk packed

Appendiabiti mod. 7 Slot plate mod. 7



Finitura
Finish

Cod.



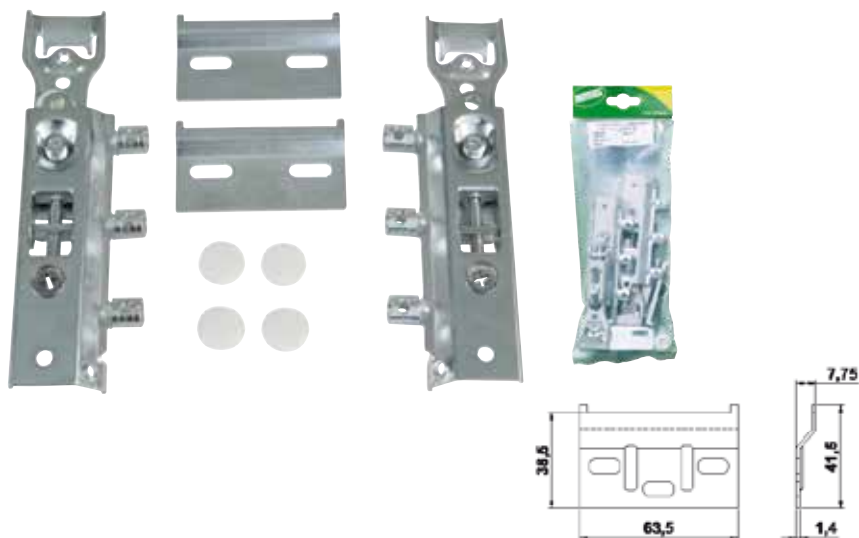
Zincato
Zinc plated

22164

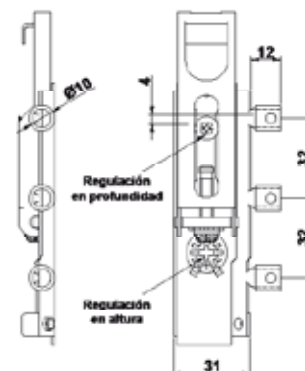
2

5

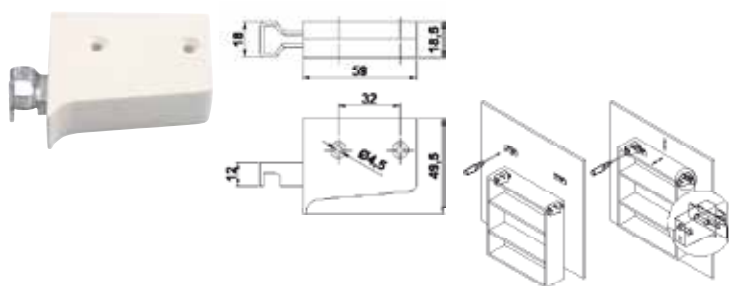
Appendiabiti mobile mod. 8 *Suspension bracket mod. 8*



Finitura Finish	Cod.	Coppie / Pairs	
Zincato Zinc plated	22165	1	5

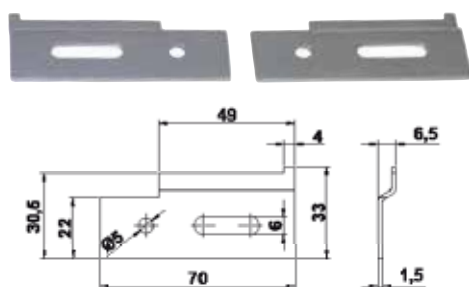


Appendiabiti mod. 12 *Suspension bracket mod. 12*



Finitura Finish	Cod.	Coppie / Pairs	
Acciaio e plastica Steel and plastic	22166	2	5

Supporto per appendiabiti mod. 13 *Support for cabinet hook mod. 13*

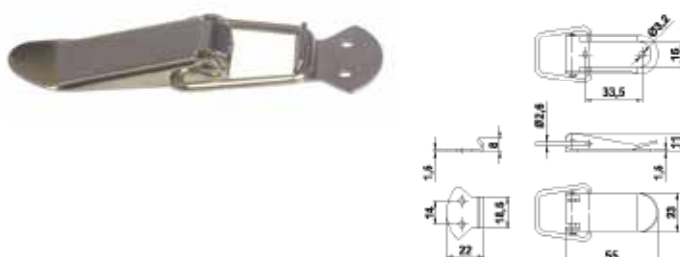


Misure mm Sizes mm.	Finitura Finish	Cod.	Coppie / Pairs	
70	Acciaio zincato Zinc plated	22322	1	5

Fornito a coppie destra / sinistra
Supplied in pairs right / left

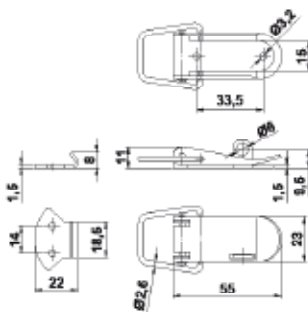
Per appendiabiti mod. 12
For latch mod. 12

Chiusura baule mod. 1 *Toggle latch mod. 1*



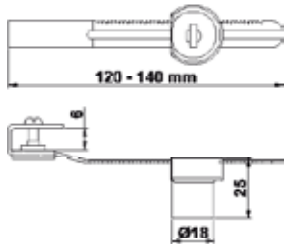
Finitura Finish	Misure mm Sizes mm.	Cod.	Coppie / Pairs	
Nichelato Nickel plated	60 x 16	22153	2	5

Chiusura baule mod. 2 Toggle latch mod. 2



Finitura Finish	Misure mm Sizes mm.	Cod.		
Nichelato Nickel plated	60 x 16	22154	2	5
Dispositivo di blocco con lucchetto Locking with padlock				

Serratura vetrina mod. 10A-10A1-10A2 Showcase lock mod. 10A-10A1-10A2



**CHIAVI UGUALI
KEY ALIKE**

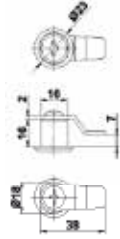


Mod. Mod.	Finitura Finish	Misure mm Sizes mm.	Cod.		
10A	Nichelato Nickel plated	120	17799	10	100
10A1	Nichelato Nickel plated	120	19174	10	100
Con due chiavi nichelate With two nickel plated keys					
Mod. 10A1 sono chiavi uguali Mod. 10A1 key alike					
Chiavi grezze mod. 371 Key blanks mod. 371		Material Material	Cod.		
		Ottone nichelato Nickel plated brass	18390	10	1000

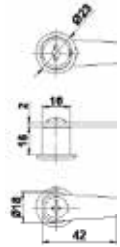
Serratura cassetta della posta mod. 3A-4A-5A Mailbox lock mod. 3A-4A-5A



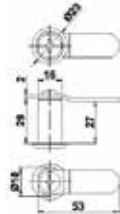
Mod. 3A



Mod. 4A



Mod. 5A



Mod. Mod.	Finitura Finish	Cod.		
3A	Nichelato Nickel plated	17739	10	100
4A	Nichelato Nickel plated	17740	10	100
5A	Nichelato Nickel plated	17741	10	100
3A1	Nichelato Nickel plated	22029	10	100
4A1	Nichelato Nickel plated	22030	10	100
5A1	Nichelato Nickel plated	22031	10	100

**CHIAVI UGUALI
KEY ALIKE**



Con due chiavi nichelate / With two nickel plated keys

Chiavi grezze mod. 371
Key blanks mod. 371

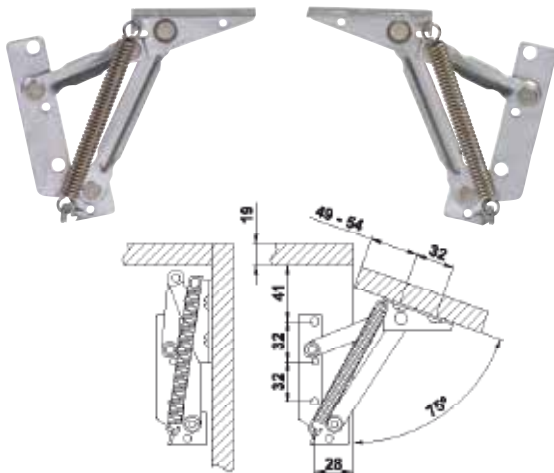
Material
Material

Cod.
Cod.

Ottone nichelato
Nickel plated brass

18390 10 1000

Cerniera a compasso mod. 70 Spring hinge mod. 70

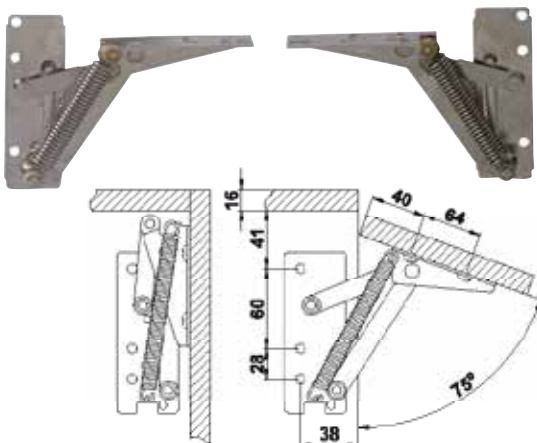


Finitura Finish	Misure mm Sizes mm.	Cod.		
Nichelato Nickel plated	100	17761	-	20

Con molla
With spring

A coppie
In pairs

Cerniera a compasso rinforzata mod. 71 Reinforced spring hinge mod. 71

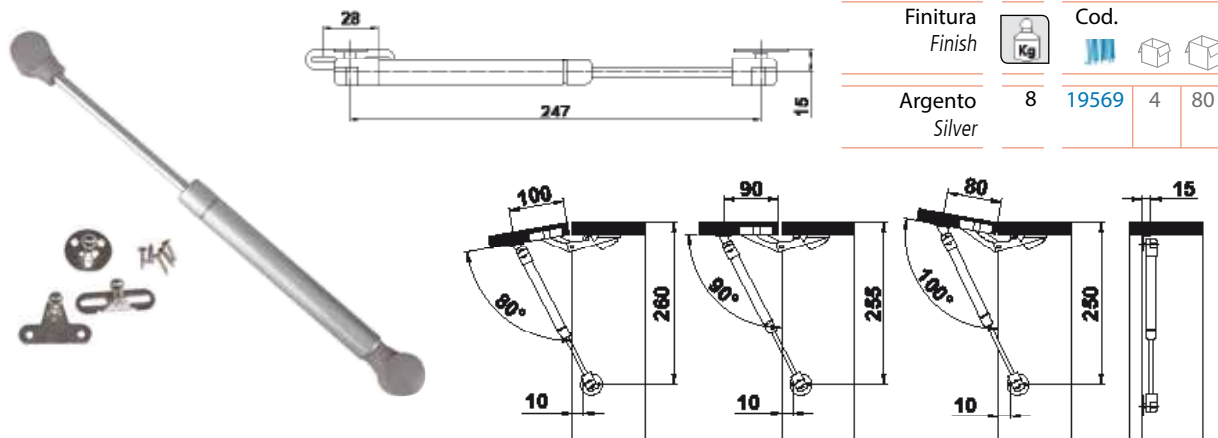


Finitura Finish	Misure mm Sizes mm.	Cod.		
Nichelato Nickel plated	120	17762	-	20

Con molla
With spring hinge

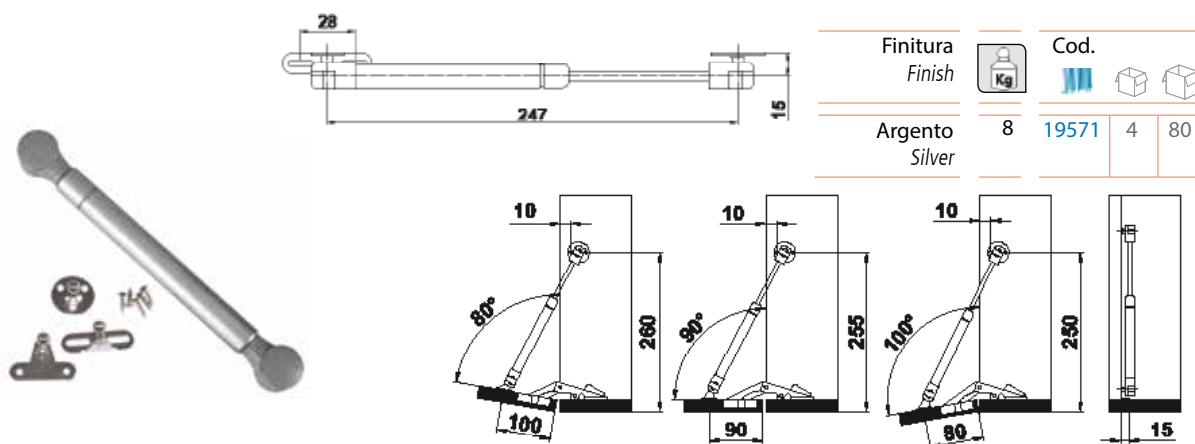
A coppie
In pairs

Cerniera a compasso gas aperto mod. 95 *Gas stay (open) mod. 95*



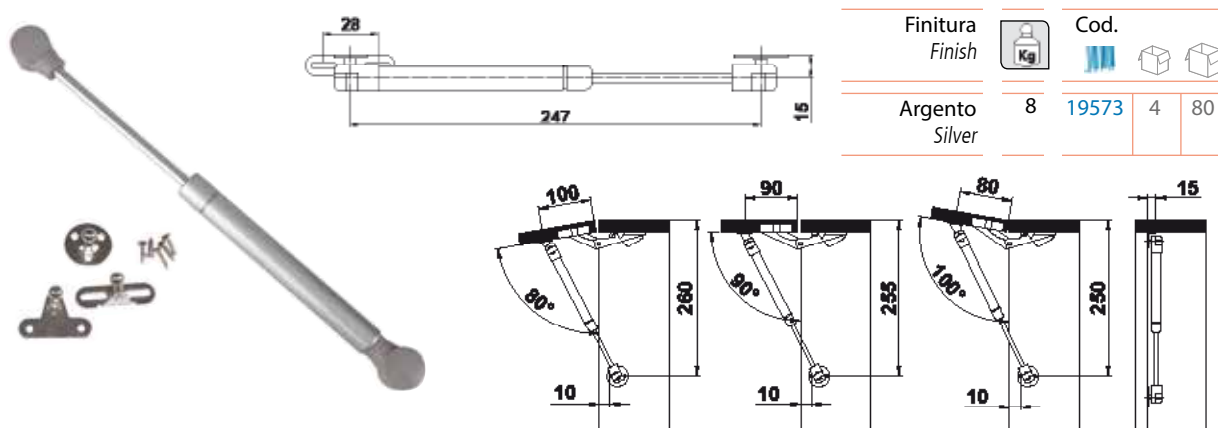
Finitura Finish	Cod.		
Argento Silver	8 19569	4	80

Cerniera a compasso gas chiuso mod. 96 *Gas stay (closed) mod. 96*



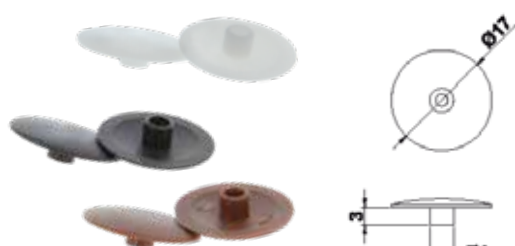
Finitura Finish	Cod.		
Argento Silver	8 19571	4	80

Cerniera a compasso gas misto mod. 97 *Gas stay (adjustable) mod. 97*



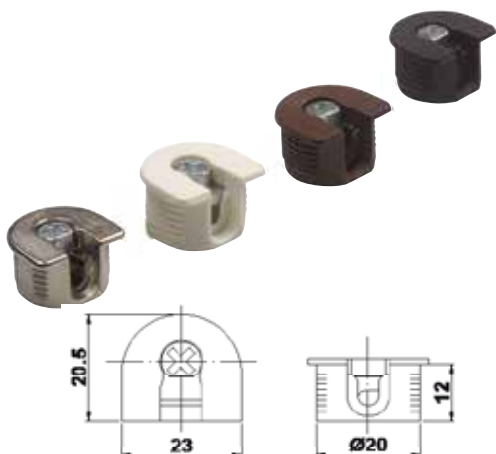
Finitura Finish	Cod.		
Argento Silver	8 19573	4	80

Cappuccio per eccentrico mod. 20 *Plastic cover cap mod. 20*



Finitura Finish	Misure mm Sizes mm.	Cod.		
Plastica bianca White plastic	ø 17	17773	200	1200
Plastica nera Black plastic	ø 17	17774	200	1200
Plastica marrone Brown plastic	ø 17	17775	200	1200

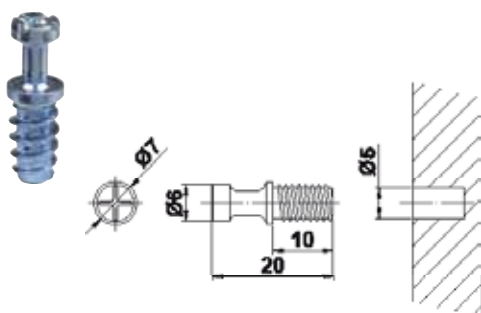
Aggancio eccentrico ø 20 mod. 40 Side connecting fitting mod. 40



Finitura Finish	Misure mm Sizes mm.	Cod.		
Plastica bianca White plastic	12,5 x M6	22194	4	5
Plastica nera Black plastic	12,5 x M6	22196	4	5
Plastica marrone Brown plastic	12,5 x M6	22195	4	5
Nichel Nickel plated	12,5 x M6	22197	4	5

Per aggancio eccentrico mod. 60
For connecting dowel mod. 60

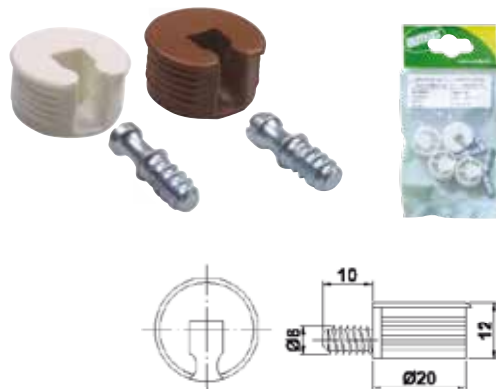
Aggancio eccentrico mod. 60 Connecting dowel mod. 60



Misure mm Sizes mm.	Finitura Finish	Cod.		
ø 6	Acciaio zincato Zinc plated	22187	10	5

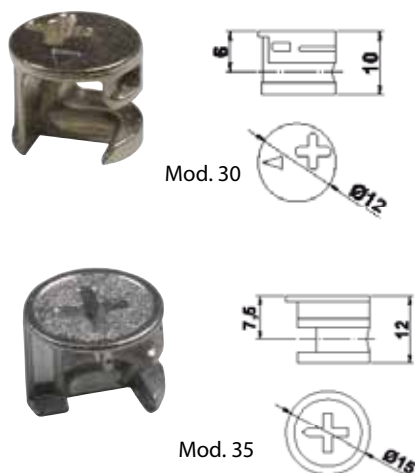
Per eccentrico mod. 40
For side connection cam fitting mod. 40

Aggancio eccentrico mod. 41 Side connecting fitting mod. 41



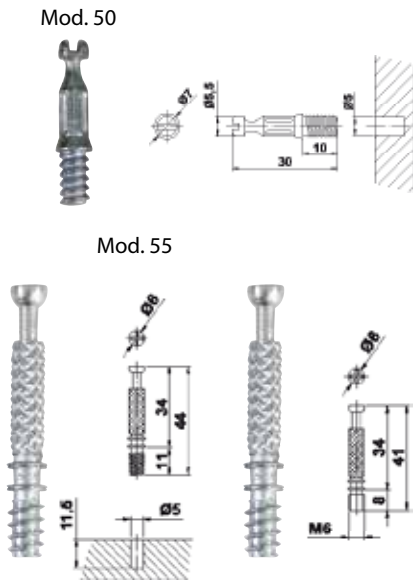
Finitura Finish	Misure mm Sizes mm.	Cod.		
Plastica bianca White plastic	M6 - ø 20 x 12	22198	4	5
Plastica nera Black plastic	M6 - ø 20 x 12	22200	4	5
Plastica marrone Brown plastic	M6 - ø 20 x 12	22199	4	5

Eccentrici mod. 30 Y 35 Side connection cam fittings mod. 30, 35



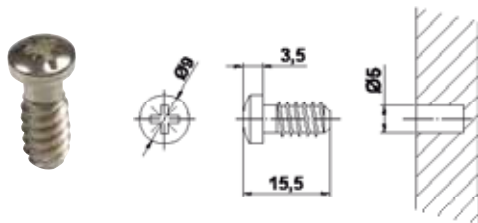
Mod. Mod.	Finitura Finish	Misure mm Sizes mm.	Cod.		
30	Zincato Zinc plated	ø 12 x 10 x 5,5	22192	4	5
35	Zincato Zinc plated	ø 15 x 12 x 7,5	22193	4	5

Aggancio eccentrico mod. 50-55 *Connecting dowel 50-55*



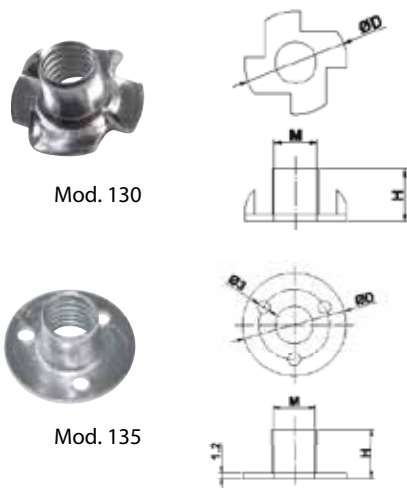
Mod. Mod.	Finitura Finish	Misure mm Sizes mm.	Cod. BAG		
50	Zincato Zinc plated	20 x 9,5 x ø 6	22184	10	5
Filettatura in legno Thread for wood					
Per eccentrico ø 12 mod. 30 For ø 12 cam fittings mod. 30					
55	Zincato Zinc plated		Filettatura M6 M6 thread		
			22185	10	5
Filettatura in legno Thread for wood					
			22186	10	5
Per eccentrico ø 15 mod. 35 For ø 15 cam fittings mod. 35					

Aggancio eccentrico mod. 120 *Connecting dowel mod. 120*



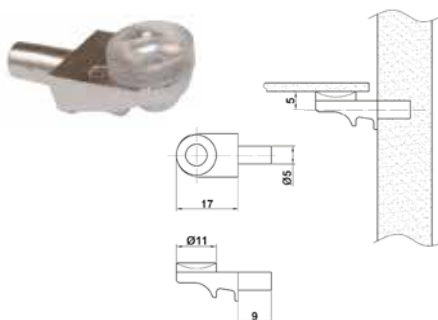
Misure mm Sizes mm.	Finitura Finish	Cod. BAG		
ø 6 x 15,5	Acciaio zincato Zinc plated	22188	10	5

Dado mod. 130/135 *Nut mod. 130/135*



Mod. Mod.	Finitura Finish	Misure mm Sizes mm. M H ø D	Cod. BAG		
130	Acciaio zincato Zinc plated	M6 8 15	22345	4	5
		M8 10 18	22346	4	5
		M10 10 20	22344	4	5
Con 4 denti With 4 claws					
135	Acciaio zincato Zinc plated	M10 12 25	22347	4	5
Senza denti No claws					
Adeguati per le nostre ruote mod. 1501-1505 Suitable for our castors mod. 1501-1505					

Supporto con ventosa mod. 164 *Steel support mod. 164*



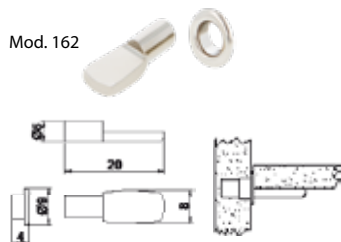
Finitura Finish	Cod. BAG		
Ottonato Brass plated	22315	8	5
Nichelato Nickel plated	22316	8	5

Supporti in acciaio mod. 160/162 Steel board support mod. 160/162

Mod. 160

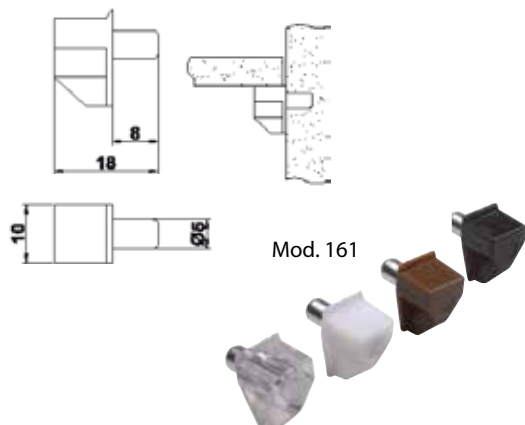


Mod. 162

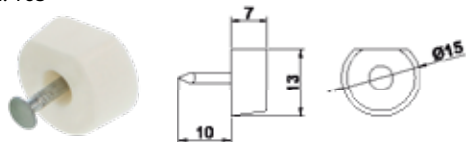


Mod. Mod.	Misure mm Sizes mm.	Finitura Finish	Cod.		
160	ø 5	Acciaio nichelato Nickel plated	22306	8	5
		Acciaio nichelato nero Black nickel plated	22305	8	5
		Acciaio bicromato Bichromated	22304	8	5
162	ø 5	Acciaio ottonato Brass plated	22311	8	5
		Acciaio nichelato Nickel plated	22312	8	5

Supporti in plastica mod. 161/163 Plastic board supports mod. 161/163



Mod. 163



Mod. Mod.	Misure mm Sizes mm.	Finitura Finish	Cod.		
161	ø 5	Plastica bianca White plastic	22307	8	5
		Plastica trasparente Transparent	22310	8	5
		Plastica marrone Brown plastic	22308	8	5
		Plastica nera Black plastic	22309	8	5
163	ø 5	Plastica bianca White plastic	22313	8	5
		Plastica marrone Brown plastic	22314	8	5

Supporti in plastica mod. 165 Plastic board supports mod. 165



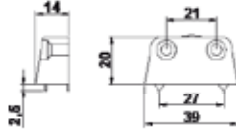
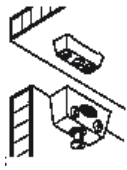
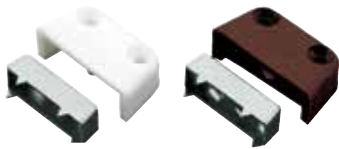
Misure mm Sizes mm.	Finitura Finish	Cod.		
14 mm	Bianco White	22317	8	5
	Marrone Brown	22318	8	5
20 mm	Bianco White	22319	8	5
	Marrone Brown	22320	8	5

Chiodo di legno mod. 25 Dowel pin mod. 25



Finitura Finish	Misure mm Sizes mm. A B	Cod.		
Legno Wood	ø 6 x 30	22189	40	5
	ø 8 x 30	22190	30	5
	ø 10 x 40	22191	20	5

Vite per assemblaggio mod. 1 *Connecting fitting mod. 1*



Misure mm
Sizes mm.

40 x 21

Finitura
Finish

Bianco
White
Marrone
Brown

Cod.



22337	4	5
22338	4	5

Vite per assemblaggio mod. 2 *Connecting fitting mod. 2*



Misure mm
Sizes mm.

40 x 24

Finitura
Finish

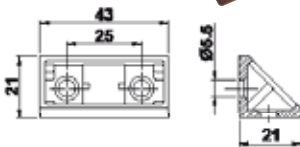
Ottonato
Brass plated
Bicromato
Bichromated

Cod.



22340	4	5
22339	4	5

Vite per assemblaggio mod. 3 *Connecting fitting mod. 3*



Finitura
Finish

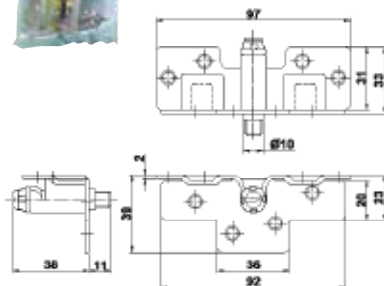
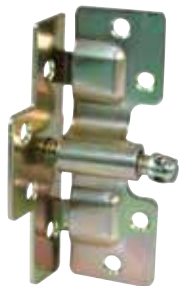
Bianco
White
Marrone scuro
Dark brown

Cod.



22341	4	5
22343	4	5

Supporto mod. 385 *Connecting fitting mod. 385*



Finitura
Finish

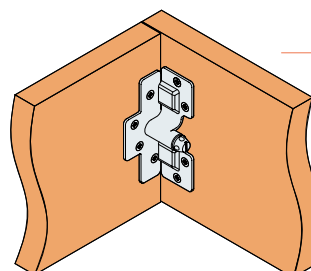
Bicromato
Bichromated

Cod.

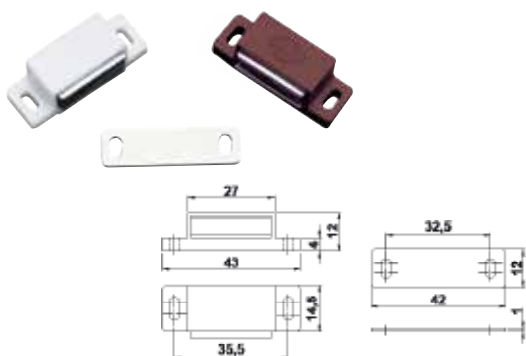


22321	1	5
-------	---	---

Il set contiene 4 unità
The set includes 4 pieces



Cricchetto mod. 5 *Magnetic catch mod. 5*



Misure mm
Sizes mm.

43 x 15

Finitura
Finish

Bianco
White
Marrone
Brown

Cod.

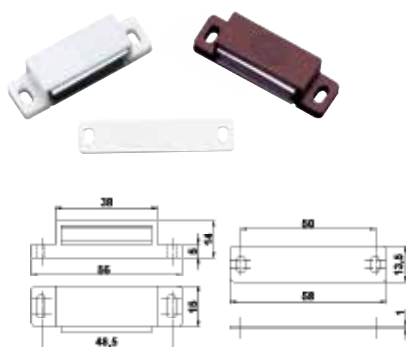


22203	2	5
22204	2	5

Portata 3 kg
Max loading: 3 kg



Cricchetto mod. 10 *Magnetic catch mod. 10*



Misure mm
Sizes mm.

56 x 15

Finitura
Finish

Bianco
White
Marrone
Brown

Cod.

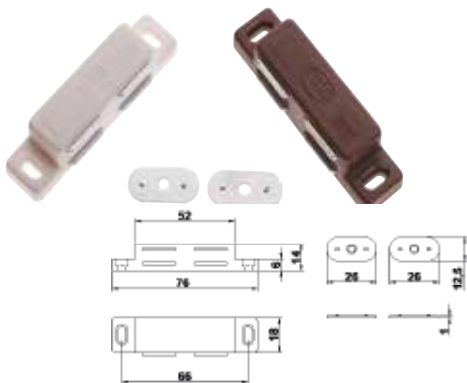


22205	2	5
22206	2	5

Portata 5 kg
Max loading: 5 kg



Cricchetto doppio mod. 20 *Double magnetic catch mod. 20*



Misure mm
Sizes mm.

76 x 18

Finitura
Finish

Bianco
White
Marrone
Brown

Cod.



22221	2	5
22222	2	5

Portata 6 kg
Max loading: 6 kg



Cricchetto mod. 110 *Magnetic catch mod. 110*



Misure mm
Sizes mm.

34 x 30

Finitura
Finish

Bianco
White
Marrone
Brown

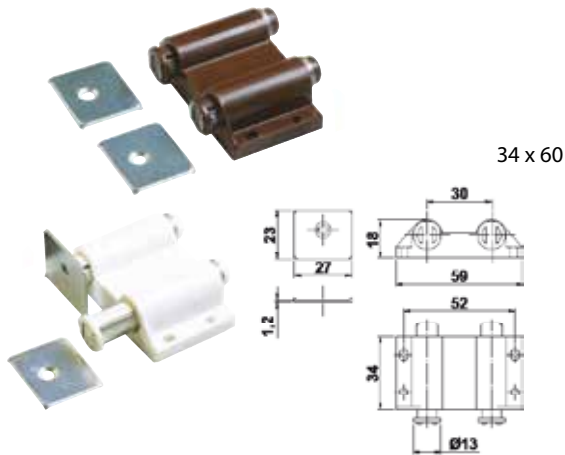
Cod.



22229	2	5
22230	2	5

Con molla
With spring

Cricchetto doppio mod. 120 *Double magnetic catch mod. 120*



Misure mm
Sizes mm.

Finitura
Finish

Cod.



Finitura Finish	Cod.	
Bianco White	22680	1 5
Marrone Brown	22681	1 5

Con molla
With spring

Cricchetto mod. 11 *Roller catch mod. 11*



Misure mm
Sizes mm.

32 x 26

Finitura
Finish

Cod.



Finitura Finish	Cod.	
Bicromato Bichromated	22207	4 5
Zincato Zinc plated	22209	4 5
Bronzato Bronze plated	22208	4 5

Rulli di nylon
Nylon rollers

Cricchetto mod. 30 *Catch mod. 30*



Misure mm
Sizes mm.

28 x 35

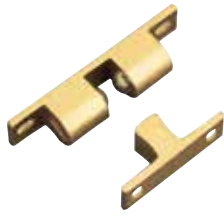
Finitura
Finish

Cod.



Nichelato / plastica bianca Nickel plated / white plastic	22223	2 5
Nichelato / plastica nera Nickel plated / black plastic	22224	2 5

Cricchetto mod. 13-14-18 Brass catch mod. 13-14-18



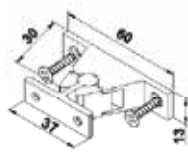
Rulli in acciaio
Steel rollers



Mod. Mod.	Misure mm Sizes mm.
13	50

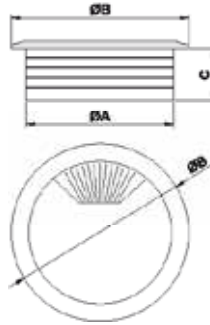
Finitura Finish	Cod.	
Ottone opaco Satin brass	22213	2 5
Ottone cromato brillante Nickel plated brass	22214	2 5

Cricchetto da muro mod. 101 Wall hinge mod. 101



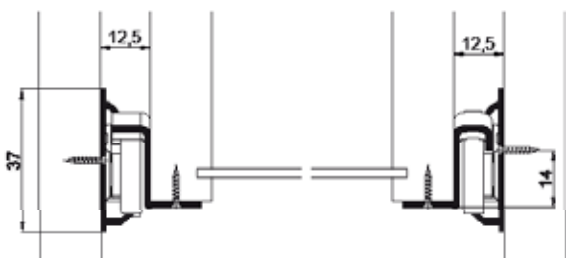
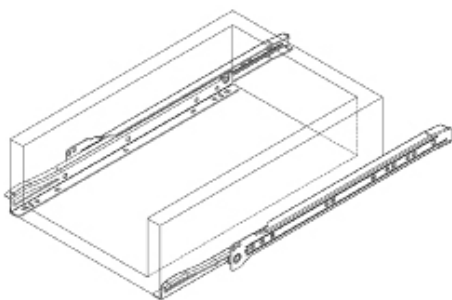
Finitura Finish	Cod.	
Ottonato verniciato Brass plated varnished	22228	2 5
Cromato brillante Nickel plated brass	22227	2 5

Tappi passacavi mod. 140 Plastic cup mod. 140



Misure mm A B C	Finitura Finish	Cod.
Ø 60 x Ø 72 x 20	Nero Black	19701 1
	Bianco White	21969 1

Guide per cassetti *Drawer slides*



Finitura <i>Finish</i>	Misure <i>Sizes</i>	Cod. Set/Set Cod.	
Bianco epossidico <i>White epoxy</i>	10" - 250 mm.	5810	- 20
	12" - 300 mm.	5811	- 20
	14" - 350 mm.	5812	- 20
	16" - 400 mm.	5813	- 20
	18" - 450 mm.	5814	- 20
	20" - 500 mm.	5815	- 10
	22" - 550 mm.	5816	- 10
Marrone epossidico <i>Brown epoxy</i>	24" - 600 mm.	5817	- 10
	10" - 250 mm.	5818	- 20
	12" - 300 mm.	5819	- 20
	14" - 350 mm.	5820	- 20
	16" - 400 mm.	5821	- 20
	18" - 450 mm.	5822	- 20
	20" - 500 mm.	5823	- 10
22" - 550 mm.	5824	- 10	
24" - 600 mm.	5825	- 10	

In confezioni singole
In individual plastic bags

Spessore: 1 mm / *Thickness: 1 mm*

Portata 18 kg/Coppia
Max loading: 18 kg / pair



Guide per cassetti mod. 25 *Drawer slides mod. 25*



Finitura Finish	Misure mm Sizes mm.	Cod. Set/Set		
Zincato Zinc plated	278 x 17	6598	20	60
	310 x 17	6599	20	60
	342 x 17	6600	20	60
	406 x 17	6602	20	40



Portata: 15 kg / coppia
Max. loading: 15 kg / pair

Con cuscinetti
With ball bearings

In confezioni singole
In individual plastic bags

Guide per cassetti mod. 26 *Drawer slides mod. 26*



Finitura Finish	Misure mm Sizes mm.	Cod. Set/Set		
Zincato Zinc plated	406 x 27	6611	-	20
	438 x 27	6612	-	20
	470 x 27	7201	-	20
	502 x 27	7202	-	20



Portata: 15 kg / coppia
Max. loading: 15 kg / pair

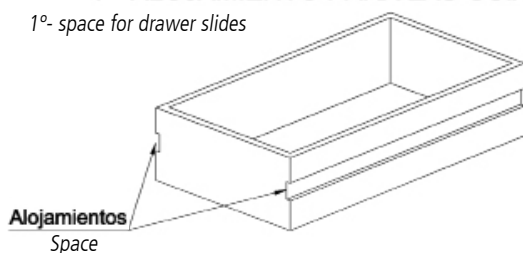
Con cuscinetti
With ball bearings

In confezioni singole
In individual plastic bags

Montaggio guide cassetti mod. 25-26 *Drawer slides mod. 25-26 assembly*

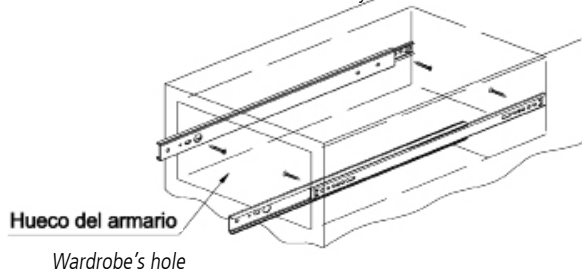
1°- ALOJAMIENTO PARA LAS GUIAS

1°- space for drawer slides



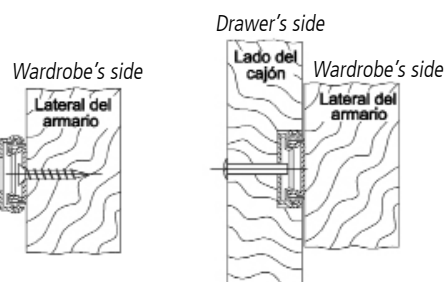
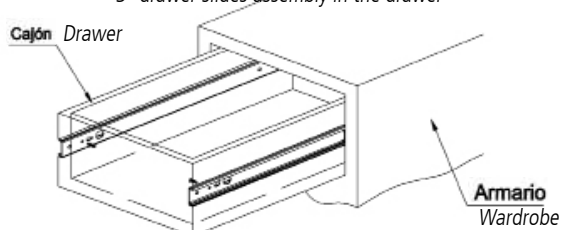
2°- MONTAJE GUIAS EN HUECO DEL ARMARIO

2°- drawer slides assembly in the wardrobe's hole



3°- MONTAJE GUIAS EN CAJON

3° drawer slides assembly in the drawer



Guide per cassetti mod. 30 *Drawer slides mod. 30*



Finitura Finish	Misure mm Sizes mm.	Cod. Set/Set
Bianco epossidico White epoxy	86 x 400	9820 - 10
	86 x 450	9821 - 10
	86 x 500	9822 - 10

In confezioni singole
In individual plastic bags

Frontale regolabile in altezza
Height adjustable front

Guide per cassetti mod. 35 *Drawer slides mod. 35*

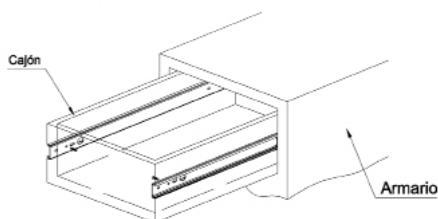


Finitura Finish	Misure mm Sizes mm.	Cod. Set/Set
Zincato Zinc plated	400 x 45	10551 - 10
	450 x 45	10552 - 10
	500 x 45	10553 - 6
	550 x 45	10554 - 6
	600 x 45	10555 - 6
	700 x 45	10556 - 6

In confezioni singole / In individual plastic bags
Con cuscinetti / With ball bearings
Possibilità di separare il cassetto dalla guida, con
l'ausilio di una leva di plastica
Possibility of separating the drawer from the guide, with
the help of a plastic lever

Portata: 30 kg/ coppia
Max. loading: 30 kg / pair

Rimozione completa
Full extension



Guide per cassetti mod. 36 *Drawer slides mod. 36*



Finitura Finish	Misure mm Sizes mm.	Cod. Set/Set
Zincato Zinc plated	400 x 45	19155 - 10
	500 x 45	19157 - 10
	600 x 45	19159 - 10

Con chiusura automatica / With automatic closing
Rimozione completa / Full extension

Portata 30 kg / coppia
Max loading: 30 kg / pair



Possibilità di separare il cassetto dalla guida, con l'ausilio di una leva di plastica
Possibility of separating the drawer from the guide, with the help of a plastic lever

Guida per ripiano tastiera mod. 53 *Keyboard slides mod. 53*



Misure mm Sizes mm.	Finitura Finish	Cod. Set/Set	
400 X 35	Zincato Zinc plated	12208	4 24
Tirafondi zincati Zinc plated screws			

Gambe per tavolo mod. 1-2 *Table legs mod. 1-2*



Mod. Mod.	Misure mm Sizes mm.	Finitura Finish	Cod.	
1	∅ 60 x 710 x 1,2	Bianco White	6533	- 4
		Cromato opaco Satin nickel plated	6534	- 4
		Nero Black	6535	- 4
		Cromato brillante Chrome plated	12215	- 4



Regolazione in altezza / *With height adjustment: 10 mm*
Portata 15 kg / gamba / *Max loading 15 kg / leg*

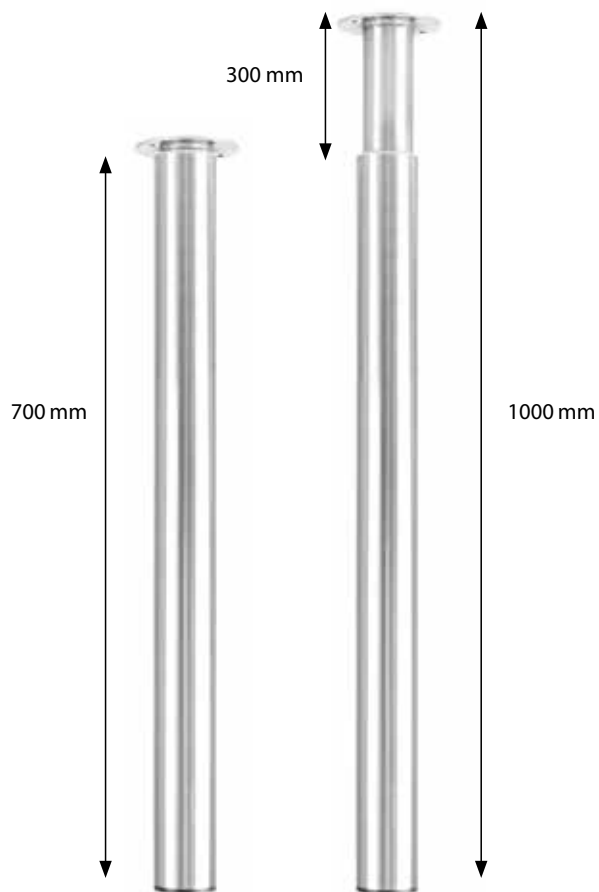
Viti Screws	Cod.	
	6539	10 -

Supporto per gambe mod. 1-2-6-7 *Supports for table legs mod. 1-2-6-7*



Cod.	
21164	1 -

Gambe per tavolo mod. 16 Table legs mod. 16



Misure mm
Sizes mm.
ø 60 x 700/1000

Finitura
Finish
Cromo opaco
Satin nickel plated

Cod.		
22622	-	2



Regolabile in altezza: da 700 a 1000 mm
Height adjustable: from 700 to 1000 mm
Portata 15 kg / gamba / Max loading: 15 kg / leg

Gambe per tavolo mod. 17 Table legs mod. 17



Misure mm
Sizes mm.
ø 50 x 710

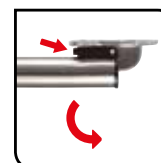
Finitura
Finish
Cromo opaco
Satin nickel plated

Cod.		
22623	-	2



Regolazione in altezza / With height adjustment: 10 mm
Portata 15 kg / gamba / Max loading: 15 kg / leg

Pieghevole / Foldable



Gambe per tavolo mod. 3 *Table legs mod. 3*



Finitura Finish	Misure mm Sizes mm.	Cod.			
Bianco White	25 x 25 x 100	21714	1	4	16
	25 x 25 x 150	21717	1	4	16
	25 x 25 x 200	21720	1	4	16
Nero Black	25 x 25 x 100	21715	1	4	16
	25 x 25 x 150	21718	1	4	16
	25 x 25 x 200	21721	1	4	16

Disponibile vite di regolazione
Fornito separatamente (cod.7976)
Regulating screw available separately (cod.7976)

Disponibile vite di regolazione
Sfuso (cod.17754)
Regulating screw available bulk packed (cod.17754)



Regolazione da 12 a 18 mm
Regulation from 12 to 18 mm

Portata 15 kg / gamba
Max loading: 15 kg / leg

Gambe per tavolo mod. 4 *Table legs mod. 4*



Finitura Finish	Misure mm Sizes mm.	Cod.			
Bianco White	ø 30 x 100	21744	1	4	16
	ø 30 x 150	21747	1	4	16
	ø 30 x 200	21750	1	4	16
Nero Black	ø 30 x 100	21745	1	4	16
	ø 30 x 150	21748	1	4	16
	ø 30 x 200	21751	1	4	16

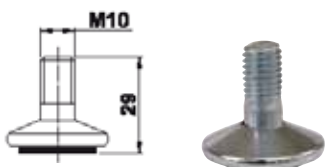
Disponibile vite di regolazione
Fornito separatamente (cod.7976)
Regulating screw available separately (cod.7976)

Disponibile vite di regolazione
Sfuso (cod.17754)
Regulating screw available bulk packed (cod.17754)



Regolazione da 12 a 18 mm
Regulation from 12 to 18 mm

Portata 15 kg / gamba
Max loading: 15 kg / leg

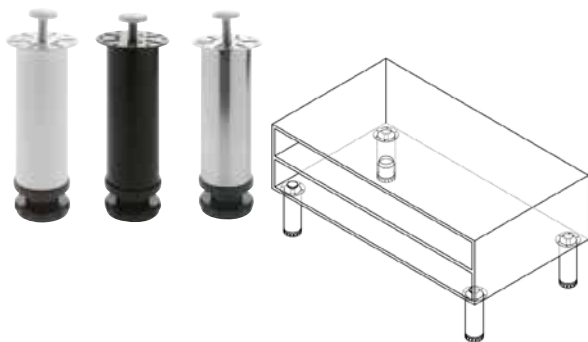


Vite di regolazione
Adjusting screw

Cod.			
17754	20	200	

Cod.				
7976	4	10	50	

Piedini per mobili mod. 5 Furniture legs mod. 5



Misure mm Sizes mm.	Finitura Finish	Cod.
ø 50 x 150 x 1,2 M10 Cromato opaco / Satin nickel plated	Bianco / White	7804 4 16
	Nichel spazzolato / Brushed nickel plated	7805 4 16
	Nero / Black	7806 4 16



Regolazione in altezza / With height adjustment: 10 mm
Portata 20 kg / piedino / Max loading: 20 kg / leg

Gambe mod. 8 Table legs mod. 8



Misure mm Sizes mm.	Finitura Finish	Cod.
100	Nichel spazzolato / Brushed nickel plated	12231 4 16



Portata 10 kg / gamba / Max loading: 10 kg / leg

Gambe mod. 13 Table legs mod. 13



Misure mm Sizes mm.	Finitura Finish	Cod.
120	Nichel spazzolato / Brushed nickel plated	12241 4 16



Portata 10 kg / gamba / Max loading: 10 kg / leg

Ruota con piastra mod. 1500 *Castor with top plate stem mod. 1500*



mm	mm	mm	Kg	mm	Cod.		
35	49	34	25	38 x 38	6195	20	200
40	56	39	35	38 x 38	6196	20	200
45	60	41	45	38 x 38	6197	20	200
50	65	47	50	50 x 50	6198	20	100
60	75	52	50	50 x 50	14495	20	100

Finitura *Finish* Nylon nero *Black nylon*

Ruota con chiodo di legno mod. 1501 *Castor with bolt stem mod. 1501*



mm	mm	mm	Kg	mm	Cod.		
35	44	34	25	M6 x 15	6199	20	200
40	52	39	35	M6 x 15	6200	20	200
45	55	41	45	M8 x 15	6201	20	200
50	58	47	50	M8 x 15	6202	20	100
50	58	47	50	M10 x 15	6203	20	100
60	70	52	50	M10 x 15	14498	20	100

Finitura *Finish* Nylon nero *Black nylon*

Dadi disponibili mod. 130-135 per queste ruote
Four claw nut mod. 130-135 available for these castors

Ruota con chiodo di legno avvitato e anello mod. 1502 *Castor with friction ring stem mod. 1502*



mm	mm	mm	Kg	mm	Cod.		
40	50	40	35	ø 11 x 19	18894	20	200
50	58	49	50	ø 11 x 19	6204	20	100

Finitura *Finish* Nylon nero *Black nylon*

Ruota con chiodo di legno liscio mod. 1503 *Castor with socket stem mod. 1503*



mm	mm	mm	Kg	mm	Cod.		
40	50	39	35	ø 6 x 24	6205	20	200
50	58	47	50	ø 8 x 26	6207	20	100

Finitura *Finish* Nylon nero *Black nylon*

Ruota con piastra e freno mod. 1504 *Castor with top plate stem and brake mod. 1504*



mm	mm	mm	Kg	mm	Cod.		
40	56	39	35	38 x 38	18895	20	200
50	65	47	50	50 x 50	6208	20	100
Finitura Finish					Nylon nero Black nylon		

Ruota con chiodo di legno avvitato e freno mod. 1505 *Castor bolt stem with brake mod. 1505*



mm	mm	mm	Kg	mm	Cod.		
40	52	39	35	M6 x 15	6209	20	200
50	58	47	50	M8 x 15	6210	20	100
50	58	47	50	M10 x 15	6211	20	100
60	70	52	50	M10 x 15	6212	20	100
Finitura Finish					Nylon nero Black nylon		

Dadi disponibili mod. 130-135 per queste ruote
Four claw nut mod. 130-135 available for these castors

Ruota con piastra mod. 2500 *Castor with top plate stem mod. 2500*



mm	mm	mm	Kg	mm	Cod.		
30	51	16	15	46 x 36	6715	20	200
40	58	17	22	46 x 36	6716	20	200
50	72	18	35	70 x 55	6717	20	100
60	81	18	40	70 x 55	6718	10	60
Finitura Finish					Nylon grigio Grey nylon		

Ruota con foro mod. 2501 *Castor with hole mod. 2501*



mm	mm	mm	Kg	mm	Cod.		
30	48	16	15	ø 8,2	6719	20	200
40	57	17	22	ø 8,2	6720	20	200
50	67	18	35	ø 10,4	6721	20	100
60	78	19	40	ø 10,4	6722	20	100
Finitura Finish					Nylon grigio Grey nylon		

Ruota con piastra mod. 2502 *Castor with top plate stem mod. 2502*



mm	mm	mm	Kg	mm	Cod.		
30	51	16	15	46 x 36	6723	20	200
40	58	17	17	46 x 36	6724	20	120
50	72	18	22	70 x 55	6725	10	80
60	81	18	35	70 x 55	6726	10	60

Finitura Finish
Gomma grigia Grey rubber

Ruota con piastra e freno mod. 2503 *Castor top plate stem and brake mod. 2503*



mm	mm	mm	Kg	mm	Cod.		
40	58	17	17	46 x 46	19859	20	120
50	72	18	22	70 x 55	22593	10	80
60	81	18	25	70 x 55	6727	10	60

Finitura Finish
Gomma grigia Grey rubber

Ruota con foro mod. 2504 *Castor with hole mod. 2504*



mm	mm	mm	Kg	mm	Cod.		
30	48	16	15	ø 8,2	6728	20	200
40	57	16	17	ø 8,2	6729	20	200
50	67	18	25	ø 10,4	6730	20	100
60	78	18	25	ø 10,4	6731	20	100

Finitura Finish
Gomma grigia Grey rubber

Ruota con buco e freno mod. 2505 *Castor with hole and brake mod. 2505*



mm	mm	mm	Kg	mm	Cod.		
50	67	18	25	ø 10,4	23127	20	100
60	78	18	25	ø 10,4	6732	20	100

Finitura Finish
Gomma gris Grey rubber

Ruota con piastra mod. 2506 *Castor with top plate stem mod. 2506*



mm	mm	mm	Kg	mm	Cod.		
25	40	10	10	50 x 33	6733	20	200
30	49	15	15	46 x 36	6734	20	200
40	57	16	22	46 x 36	6735	20	200

Finitura Finish
Nylon grigio Grey nylon

Ruota con foro mod. 2507 *Castor with hole mod. 2507*



					cod.		
mm	mm	mm		mm			
30	48	15	10	ø 8,2	6736	20	200
40	54	16	15	ø 8,2	6737	20	200
Finitura Finish				Nylon grigio Grey nylon			

Ruota con piastra mod. 2510 *Castor with top plate stem mod. 2510*



					Cod.		
mm	mm	mm		mm			
60	85	21	40	55 x 70	6741	10	40
Finitura Finish		Gomma grigia e in poliammide al centro Grey rubber and polyamide center					

Ruota con piastra fissa mod. 2511 *Castor with fixed top plate stem mod. 2511*



					Cod.		
mm	mm	mm		mm			
60	85	21	40	52 x 57	6743	10	60
Finitura Finish		Gomma grigia e in poliammide al centro Grey rubber and polyamide center					
Supporto in acciaio / Steel support							

Ruota con piastra mod. 2512 *Castor with top plate stem mod. 2512*



					Cod.		
mm	mm	mm		mm			
40	54	16	30	51 x 51	6744	20	100
60	85	25	60	55 x 70	6745	10	40
Finitura Finish		Poliammide bianca White polyamide					

Ruota con piastra fissa mod. 2513 *Castor with fixed top plate stem mod. 2513*



					Cod.		
mm	mm	mm		mm			
40	54	16	30	45 x 51	6746	20	120
60	85	25	60	52 x 57	6747	10	60
Finitura Finish		Poliammide bianca White polyamide					
Supporto in acciaio / Steel support							

Ruota con piastra mod. 2522 *Castor with top plate stem mod. 2522*



mm	mm	mm	Kg	mm	Cod.		
80	112	32	70	100 x 80	22371	-	4
100	128	32	90	100 x 80	22372	-	4

Anima metallica / Metal Core
Battistrada in gomma / Rubber tyre
Con cuscinetti / With bearings

Ruota con piastra e freno mod. 2523 *Castor top plate stem and brake mod. 2523*



mm	mm	mm	Kg	mm	Cod.		
80	112	32	70	100 x 80	22373	-	4
100	128	32	90	100 x 80	22374	-	4

Anima metallica / Metal Core
Battistrada in gomma / Rubber tyre
Con cuscinetti / With bearings

Ruota con foro mod. 2524 *Castor with hole mod. 2524*



mm	mm	mm	Kg	mm	Cod.		
80	110	32	70	12,5	22375	-	4
100	127	32	90	12,5	22376	-	4

Anima metallica / Metal Core
Battistrada in gomma / Rubber tyre
Con cuscinetti / With bearings

Ruota con foro e freno mod. 2525 *Castor with hole and brake mod. 2525*



mm	mm	mm	Kg	mm	Cod.		
80	110	32	70	12,5	22377	-	4
100	127	32	90	12,5	22378	-	4

Anima metallica / Metal Core
Battistrada in gomma / Rubber tyre
Con cuscinetti / With bearings

Ruota con piastra fissa mod. 2526 *Castor with fixed top plate stem mod. 2526*



mm	mm	mm	Kg	mm	Cod.		
80	112	32	70	100 x 84	22379	-	4
100	128	32	90	100 x 84	22380	-	4

Anima metallica / Metal Core
Battistrada in gomma / Rubber tyre
Con cuscinetti / With bearings

Ruota con piastra mod. 2530 *Castor with top plate stem mod. 2530*



					Cod.		
mm	mm	mm	Kg	mm			
100	128	32	110	100 x 80	23038	-	4

Piastra metallica / Metal plate
 Battistrada in gomma grigia di caucciù termoplastico / Grey thermoplastic rubber tyre
 Anima in polipropilene / Polypropylene core

Ruota con piastra e freno mod. 2530 *Castor top plate stem and brake mod. 2530*



					Cod.		
mm	mm	mm	Kg	mm			
100	128	32	110	100 x 80	23039	-	4

Piastra metallica / Metal plate
 Battistrada in gomma grigia di caucciù termoplastico / Grey thermoplastic rubber tyre
 Anima in polipropilene / Polypropylene core

Ruota con foro mod. 2531 *Castor with hole mod. 2531*



					Cod.		
mm	mm	mm	Kg	mm			
100	127	32	110	12,5	23040	-	4

Piastra metallica / Metal plate
 Battistrada in gomma grigia di caucciù termoplastico / Grey thermoplastic rubber tyre
 Anima in polipropilene / Polypropylene core

Ruota con foro e freno mod. 2531 *Castor with hole and brake mod. 2531*



					Cod.		
mm	mm	mm	Kg	mm			
100	127	32	110	12,5	23041	-	4

Piastra metallica / Metal plate
 Battistrada in gomma grigia di caucciù termoplastico / Grey thermoplastic rubber tyre
 Anima in polipropilene / Polypropylene core

Ruota con piastra fissa mod. 2532 *Castor with fixed top plate stem mod. 2532*

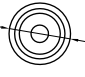
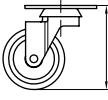
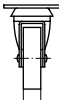

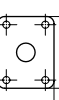





					Cod.		
mm	mm	mm	Kg	mm			
100	128	32	110	100 x 84	23042	-	4

Piastra metallica / Metal plate
 Battistrada in gomma grigia di caucciù termoplastico / Grey thermoplastic rubber tyre
 Anima in polipropilene / Polypropylene core

Ruota con piastra mod. 2540 *Castor with top plate stem mod. 2540*

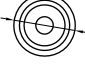
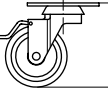
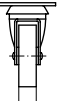

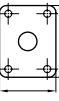





 mm	 mm	 mm		 mm	Cod.			
125	152	35	170	100 x 80	23043	-	4	
100	128	30	120	100 x 80	23316	-	4	
80	110	30	100	100 x 80	23315	-	4	

Piastra metallica / Metal plate
Battistrada in poliuretano rosso / Red polyurethane tyre
Anima in nylon bianco / White nylon core

Ruota con piastra e freno mod. 2540 *Castor top plate stem and brake mod. 2540*

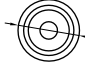
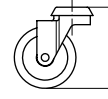
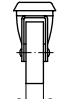







 mm	 mm	 mm		 mm	Cod.			
125	152	35	170	100 x 80	23044	-	4	
100	128	30	120	100 x 80	23318	-	4	
80	110	30	100	100 x 80	23317	-	4	

Piastra metallica / Metal plate
Battistrada in poliuretano rosso / Red polyurethane tyre
Anima in nylon bianco / White nylon core

Ruota con foro mod. 2541 *Castor with hole mod. 2541*

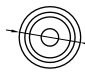
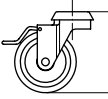
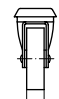







 mm	 mm	 mm		 mm	Cod.			
125	150	35	170	12,5	23045	-	4	
100	127	30	120	12,5	23320	-	4	
80	108	30	100	12,5	23319	-	4	

Piastra metallica / Metal plate
Battistrada in poliuretano rosso / Red polyurethane tyre
Anima in nylon bianco / White nylon core

Ruota con foro e freno mod. 2541 *Castor with hole and brake mod. 2541*

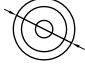
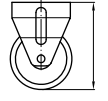
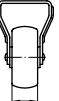

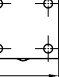





 mm	 mm	 mm		 mm	Cod.			
125	150	35	170	12,5	23046	-	4	
100	127	30	120	12,5	23322	-	4	
80	108	30	100	12,5	23321	-	4	

Piastra metallica / Metal plate
Battistrada in poliuretano rosso / Red polyurethane tyre
Anima in nylon bianco / White nylon core

Ruota con piastra fissa mod. 2542 *Castor with fixed top plate stem mod. 2542*

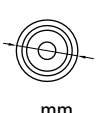
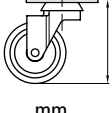
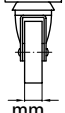

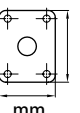




 mm	 mm	 mm		 mm	Cod.			
125	152	35	170	100 x 84	23047	-	4	
100	128	30	120	100 x 84	23324	-	4	
80	110	30	100	100 x 84	23323	-	4	

Piastra metallica / Metal plate
Battistrada in poliuretano rosso / Red polyurethane tyre
Anima in nylon bianco / White nylon core

Ruota con piastra mod. 2550 *Castor with top plate stem mod. 2550*

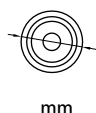
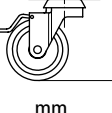
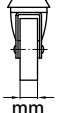

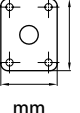




					Cod.		
mm	mm	mm	Kg	mm			
100	128	32	200	100 x 80	23325	-	4

Piastra metallica / Metal plate
Nucleo e fascia di nylon bianco / Core and tread in white nylon

Ruota con piastra e freno mod. 2550 *Castor top plate stem and brake mod. 2550*

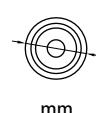
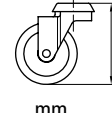
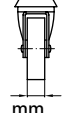






					Cod.		
mm	mm	mm	Kg	mm			
100	128	32	200	100 x 80	23326	-	4

Piastra metallica / Metal plate
Nucleo e fascia di nylon bianco / Core and tread in white nylon

Ruota con foro mod. 2551 *Castor with hole mod. 2551*

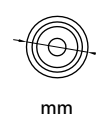
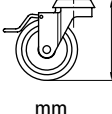
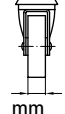






					Cod.		
mm	mm	mm	Kg	mm			
100	127	32	200	12,5	23327	-	4

Piastra metallica / Metal plate
Nucleo e fascia di nylon bianco / Core and tread in white nylon

Ruota con foro e freno mod. 2551 *Castor with hole and brake mod. 2551*


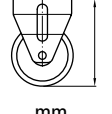
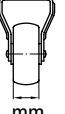

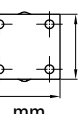




					Cod.		
mm	mm	mm	Kg	mm			
100	127	32	200	12,5	23328	-	4

Piastra metallica / Metal plate
Nucleo e fascia di nylon bianco / Core and tread in white nylon

Ruota con piastra fissa mod. 2552 *Castor with fixed top plate stem mod. 2552*



					Cod.		
mm	mm	mm	Kg	mm			
100	128	32	200	100 x 84	23329	-	4

Piastra metallica / Metal plate
Nucleo e fascia di nylon bianco / Core and tread in white nylon

Ruota con piastra mod. 2560 *Castor with top plate stem mod. 2560*



					Cod.	
mm	mm	mm		mm		
100	134	27	90	76 x 76	23330	- 4

Piastra metallica AISI 304 / *Steel plate AISI 304*
 Anima in polipropilene / *Polypropylene core*
 Battistrada in gomma grigia di caucciù termoplastico / *Grey thermoplastic rubber tyre*

Ruota con piastra e freno mod. 2560 *Castor top plate stem and brake mod. 2560*



					Cod.	
mm	mm	mm		mm		
100	134	27	90	76 x 76	23331	- 4

Piastra metallica AISI 304 / *Steel plate and brake AISI 304*
 Anima in polipropilene / *Polypropylene core*
 Battistrada in gomma grigia di caucciù termoplastico / *Grey thermoplastic rubber tyre*

Ruota con foro mod. 2561 *Castor with hole mod. 2561*



					Cod.	
mm	mm	mm		mm		
100	131,5	27	90	10,5	23332	- 4

Buco metallico AISI 304 / *Hole AISI 304*
 Anima in polipropilene / *Polypropylene core*
 Battistrada in gomma grigia di caucciù termoplastico / *Grey thermoplastic rubber tyre*

Ruota con foro e freno mod. 2561 *Castor with hole and brake mod. 2561*



					Cod.	
mm	mm	mm		mm		
100	131,5	27	90	10,5	23333	- 4

Buco metallico AISI 304 / *Hole and brake AISI 304*
 Anima in polipropilene / *Polypropylene core*
 Battistrada in gomma grigia di caucciù termoplastico / *Grey thermoplastic rubber tyre*

Ruota con piastra fissa mod. 2562 *Castor with fixed top plate stem mod. 2562*



					Cod.	
mm	mm	mm		mm		
100	134	27	90	76 x 76	23334	- 4

Piastra metallica AISI 304 / *Steel plate AISI 304*
 Anima in polipropilene / *Polypropylene core*
 Battistrada in gomma grigia di caucciù termoplastico / *Grey thermoplastic rubber tyre*

Ruota con piastra mod. 2570 *Castor with top plate stem mod. 2570*



mm	mm	mm	Kg	mm	Cod.		
50	69,5	18	50	60 x 60	23335	6	72
75	100	23	100	60 x 60	23336	6	36

Piastra metallica / *Steel plate*
 Policarbonato trasparente / *Transparent polycarbonate*

Ruota con piastra e freno mod. 2570 *Castor top plate stem and brake mod. 2570*



mm	mm	mm	Kg	mm	Cod.		
50	69,5	18	50	60 x 60	23337	6	72
75	100	23	100	60 x 60	23338	6	36

Piastra metallica e freno / *Steel plate and brake*
 Policarbonato trasparente / *Transparent polycarbonate*

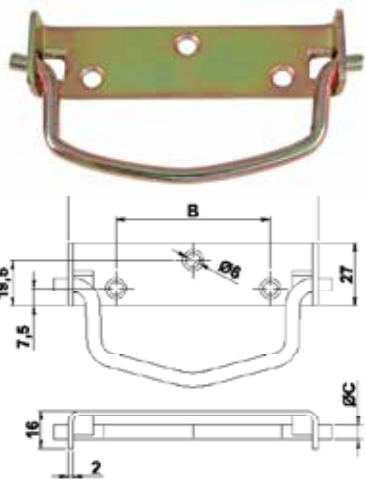
Maniglia mod. 5 *Handle mod. 5*



Misure mm Sizes mm.	Finitura Finish	Cod.		
105	Nero / <i>Black</i>	10519	20	300
	Bianco / <i>White</i>	10525	20	300
	Cromato brillante / <i>Chrome plated</i>	454	20	300
125	Nero / <i>Black</i>	10520	20	300
	Bianco / <i>White</i>	10526	20	300
	Cromato brillante / <i>Chrome plated</i>	455	20	300
145	Nero / <i>Black</i>	10521	20	300
	Bianco / <i>White</i>	10527	20	300
	Cromato brillante / <i>Chrome plated</i>	456	20	300
165	Nero / <i>Black</i>	10522	10	150
	Bianco / <i>White</i>	10528	10	150
	Cromato brillante / <i>Chrome plated</i>	457	10	150

Acciaio / *Steel*

Maniglia mod. 15 Handle mod. 15



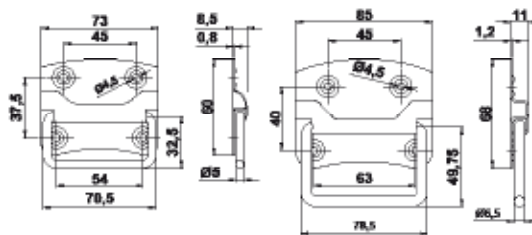
Finitura Finish	Misure mm Sizes mm.	Cod.	
Zincato Zinc plated	125 x 27	5088	20 100

Modelos	A (mm)	B (mm)	ØC (mm)
100	105	65	6
125	125	88	7

Maniglia per baule mod. 900 Handle mod. 900



Misure mm Sizes mm.	Finitura Finish	Cod.	
75 3"	Nero Black	10403	20 100
90 3,5"	Nero Black	10404	20 100



Pomolo inox mod. 1 Knob mod. 1 St. steel



M4	Finitura Finish	Misure mm Sizes mm.	Cod.	
	Acciaio inossidabile 18/8 Stainless steel AISI 304	ø 10 x 24	15932	25 200
		ø 20 x 40	11163	10 40
		ø 25 x 40	8873	25 100
		ø 30 x 40	11164	10 40

Pomolo inox mod. 2 Knob mod. 2 - St. steel



M4	Finitura Finish	Misure mm Sizes mm.	Cod.	
	Acciaio inossidabile 18/8 Stainless steel AISI 304	ø 25 x 40	8874	25 200

Pomolo inox mod. 3 Knob mod. 3 - St. steel



Finitura
Finish
Acciaio inossidabile 18/8
Stainless steel aisi 304

Misure mm Sizes mm.	Cod.	
ø 12 x 20	15933	25 200
ø 16 x 20	15934	25 200
ø 20 x 24	14986	25 200
ø 25 x 30	8875	25 200

Pomolo inox mod. 4 Knob mod. 4 - St. steel



Finitura
Finish
Acciaio inossidabile 18/8
Stainless steel aisi 304

Misure mm Sizes mm.	Cod.	
ø 20 x 23	15051	25 200
ø 25 x 28	15052	25 200
ø 30 x 33	15053	25 200

Pomolo inox mod. 5 Knob mod. 5 - St. steel



ø 30



Finitura
Finish
Acciaio inossidabile 18/8
Stainless steel aisi 304

Misure mm Sizes mm.	Cod.	
ø 20 x 25	15054	25 200
ø 25 x 26	15055	25 200
ø 30 x 37	15056	25 200
ø 35 x 42	14985	25 200

Pomolo inox mod. 7 knob mod. 7 - St. steel



Finitura
Finish
Acciaio inossidabile 18/8
Stainless steel aisi 304

Misure mm Sizes mm.	Cod.	
ø 10 x 24	19270	25 200
ø 15 x 25	19271	25 200
ø 20 x 33	19272	25 200
ø 25 x 35	19273	25 200

Maniglia inox mod. 4 Handle mod. 4 - St. steel



Finitura
Finish
Acciaio inossidabile 18/8
Stainless steel aisi 304

Misure mm Sizes mm.	Cod.	
ø 10 x 96	12342	25 200
ø 10 x 128	12343	25 200
ø 10 x 160	12344	25 200
ø 10 x 192	12345	25 200
ø 12 x 224	15043	25 200
ø 12 x 256	15044	25 200
ø 12 x 288	15045	25 200
ø 12 x 320	15046	25 200

Maniglia inox mod. 6 Handle mod. 6 - St. steel



Finitura Finish	Misure mm Sizes mm.	Cod.	
Acciaio inossidabile 18/8 Stainless steel aisi 304	ø 10 x 64	15029	25 200
	ø 10 x 96	15030	25 200
	ø 10 x 128	15031	25 200
	ø 10 x 160	15032	25 150
	ø 10 x 192	15033	25 200
	ø 10 x 224	15034	25 200
	ø 10 x 320	15035	25 200

Maniglia inox mod. 7 Handle mod. 7 - St. steel



32



Finitura Finish	Misure mm Sizes mm.	Cod.	
Acciaio inossidabile 18/8 Stainless steel aisi 304	32	15036	25 200
	96	15038	25 200
	128	15039	25 200
	160	15040	25 200
	192	15041	25 200
	256	15042	25 100

ø 10 mm

Maniglia inox mod. 9 Handle mod. 9 - St. steel



Finitura Finish	Misure mm Sizes mm.	Cod.	
Acciaio inossidabile 18/8 Stainless steel aisi 304	96	15047	25 200
	128	15048	25 200

ø 10 mm

Maniglia inox mod. 10 Handle mod. 10 - St. steel



Finitura Finish	Misure mm Sizes mm.	Cod.	
Acciaio inossidabile 18/8 Stainless steel aisi 304	128	15050	25 200

ø 10 mm

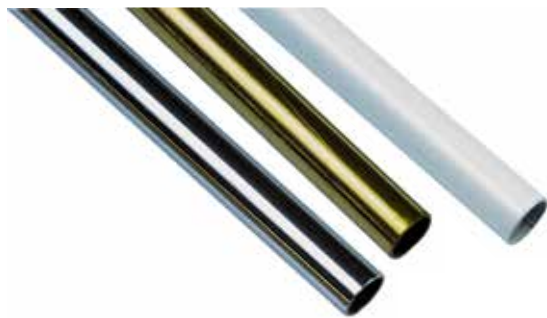
Maniglia inox mod. 12 Handle mod. 12 - St. steel



Finitura Finish	Misure mm Sizes mm.	Cod.	
Acciaio inossidabile 18/8 Stainless steel aisi 304	96	20395	10 60
	128	20396	6 36
	160	20397	6 36
	192	20398	6 36
	228	19265	10 100
	278	19266	10 100
	306	19267	10 100

ø 14 mm

Tubo armadio ferro mod. 5-6-7 Closet bar mod. 5-6-7 - Steel



Mod. Mod.	Misure mm Sizes mm.	Finitura Finish	Cod.												
7	2 m. ø 19 x 0,8	Cromato brillante / Chrome plated Ottonato / Brass plated Nichel opaco / Satin nickel plated- Bianco / White	<table border="1"> <tr> <td>18718</td> <td>-</td> <td>10</td> </tr> <tr> <td>18719</td> <td>-</td> <td>10</td> </tr> <tr> <td>18720</td> <td>-</td> <td>10</td> </tr> <tr> <td>18721</td> <td>-</td> <td>10</td> </tr> </table>	18718	-	10	18719	-	10	18720	-	10	18721	-	10
18718	-	10													
18719	-	10													
18720	-	10													
18721	-	10													

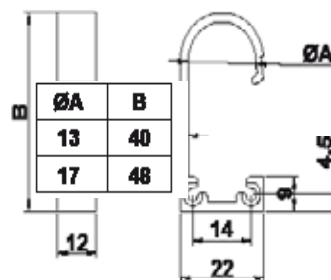
Tubo armadio ferro mod. 8-9-10 Closet bar mod. 8-9-10 - Steel



Mod. Mod.	Misure mm Sizes mm.	Finitura Finish	Cod.						
10	2 m 30 X 15	Cromato brillante / Chrome plated Ottonato / Brass plated	<table border="1"> <tr> <td>18738</td> <td>1</td> <td>10</td> </tr> <tr> <td>18739</td> <td>1</td> <td>10</td> </tr> </table>	18738	1	10	18739	1	10
18738	1	10							
18739	1	10							

Spessore: 0,8 mm / Thickness: 0,8 mm

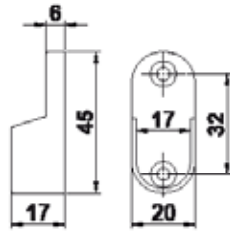
Supporto tubo armadio mod. 6 Closet bar braluet mod. 6



Mod. Mod.	Misure mm Sizes mm.	Finitura Finish	Cod.									
6	ø 20	Alluminio laccato bianco White painted aluminium Alluminio anodizzato oro Gold anodized aluminium Alluminio anodizzato argento Silver anodized aluminium	<table border="1"> <tr> <td>22276</td> <td>2</td> <td>5</td> </tr> <tr> <td>22278</td> <td>2</td> <td>5</td> </tr> <tr> <td>22279</td> <td>2</td> <td>5</td> </tr> </table>	22276	2	5	22278	2	5	22279	2	5
22276	2	5										
22278	2	5										
22279	2	5										

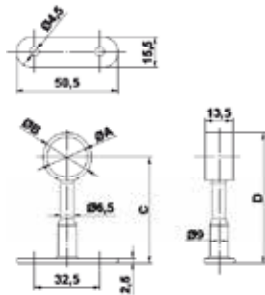
6-20 (applicazione tubo 1-20 x 18 e 2/20) / 6-20 (application bar 1-20 x 18 and 2/20)

Supporto tubo armadio mod. 7 Closet bar braluet mod. 7



Misure mm Sizes mm.	Finitura Finish	Cod.		
30 x 15	Oro / Gold plated	22283	2	5
	Argento / Silver grey	22284	2	5
Per tubo mod. 1-30 X 15 Application bar mod. 1-30 X 15				

Supporto tubo armadio mod. 11 Closet bar braluet mod. 11



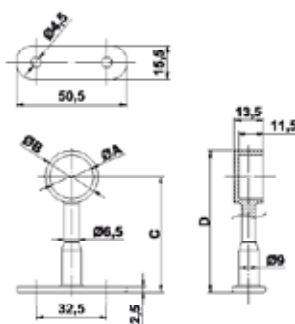
ØA	ØB	C	D
13	17	49,5	58
17	21	51,5	62
20	24	53	65

Misure mm Sizes mm.	Finitura Finish	Cod.		
Ø 19	Cromato brillante Chrome plated	18557	20	200
	Ottonato Brass plated	18558	20	200
	Bianco White	18559	20	200
	Nichel spazzolato Brushed nickel plated	18560	20	200

Ø 19- per tubo mod. 7 / Ø 19 - application bar mod. 7

In bustine con 2 supporti / In bags with 2 closet bar braluets

Supporto tubo armadio mod. 12 Closet bar braluet mod. 12

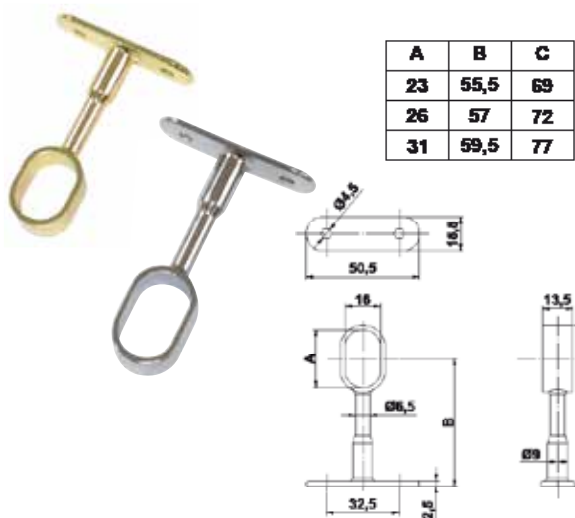


Misure mm Sizes mm.	Finitura Finish	Cod.		
Ø 19	Cromato brillante Chrome plated	18568	20	200
	Ottonato Brass plated	18569	20	200
	Bianco White	18570	20	200
	Nichel spazzolato Brushed nickel plated	18571	20	200

Ø 19- per tubo mod. 7 / Ø 19 - Application bar mod. 7

In bustine con 2 supporti / In bags with 2 closet bar braluets

Supporto tubo armadio mod. 13 Closet bar braluet mod. 13



A	B	C
23	55,5	69
26	57	72
31	59,5	77



Misure mm
Sizes mm.

30 x 15

Finitura
Finish

Cromato brillante
Chrome plated
Ottonato
Brass plated

Cod.



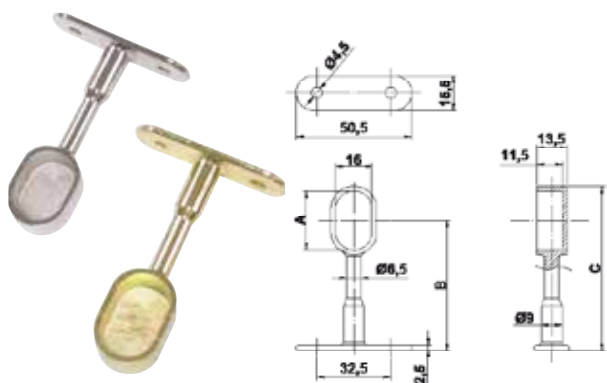
18576	20	200
18577	20	200

Per tubo mod. 10 / Application bar mod. 10



In bustine con 2 supporti / In bags with 2 closet bar braluet

Supporto tubo armadio mod. 14 Closet bar braluet mod. 14



Misure mm
Sizes mm.

30 x 15

Finitura
Finish

Cromato brillante
Chrome plated
Ottonato
Brass plated

Cod.



18582	20	200
18583	20	200

Per tubo mod. 10 / Application bar mod. 10



In bustine con 2 supporti / In bags with 2 closet bar braluet

A	B	C
23	55,5	69
26	57	72
31	59,5	77

Appendi-stampelle mod. 12 Hook for hangers mod. 12



Misure mm
Sizes mm.

300

350

400

Cod.



12203

12204

12205



10

10

10

Finitura
Finish

Cromato brillante
Chrome plated

Appendiabiti mod. 80 Hook mod. 80



Misure mm
Sizes mm.

35 x 350 x 55

Cod.



12206



6

36

Finitura
Finish

Cromato brillante
Chrome plated